

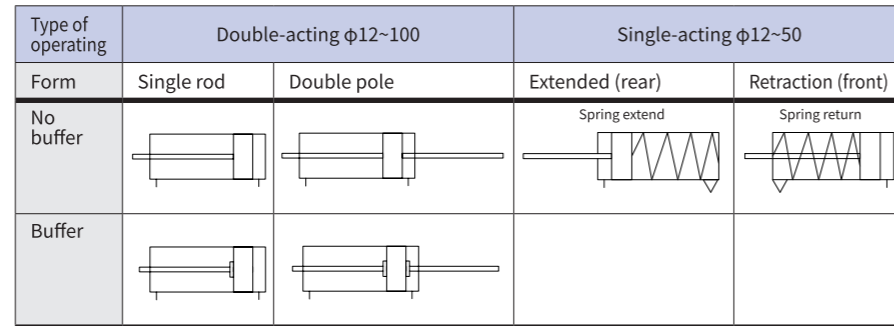


1.7 DPAC series compact cylinder

The axial size of this series of cylinders is small, the cylinder block and the front and rear cover use C-shaped buckle fixed or riveting structure, the piston and piston rod use riveting structure is compact, directly installed.



Diagram



Summary

The axial size of this series of cylinders is small, the cylinder block and the front and rear cover use C-shaped buckle fixed or riveting structure, the piston and piston rod use riveting structure is compact, directly installed.

Product characteristics

- Compact structure, effectively save the installation space;
- Through hole and both ends of the thread hole common, magnetic switch position can be selected, convenient installation;
- A variety of specification installation accessories are available.

Model selection

DPAC	-32	×50	-P	A	-CIR		
Compact cylinder	①	②	③	④	⑤		
①	- Diameter, dual action: 12 16 20 25 32 40 50 63 80 100; Single-acting $\phi 12\sim 50$						
②	× Cylinder travel: see the stroke sheet ¹⁾						
③	-Buffer: P= with elastic cushion at both ends; no = without buffer;						
④	Position sensing: A= with magnetic sensing; no = without magnetic sensing						
⑤	-variant ²⁾						
	Mode of operation		Piston rod	Temperature range	Type of mounting		
	Double-acting		Female thread	Standard	Through-hole type (Standard)		
	C	Single-acting spring rear-mounted type (pressed out)	1	Male thread	T	-40~80°C	L
H	Single-acting spring front type (pressure back)	2	Double end piston rod	R	Heat resistance, and the max120°C	F	With boss on head end

• Note 1) Stroke data sheet[mm]

- Double-acting

Diameter ϕ mm	Standard stroke	Maximum stroke
12 16	5, 10, 15, 20, 25, 30	30
20 25	5, 10, 15, 20, 25, 30, 35, 40, 45, 50	50
32 40	5, 10, 15, 20, 25, 30, 35, 40, 45, 50, 75, 100	100
50 63 80 100	10, 15, 20, 25, 30, 35, 40, 45, 50, 75, 100	100

- Single-acting

Diameter ϕ mm	Standard stroke	Maximum stroke
12 16 20 25 32 40	5, 10	10
50	10, 20	20

[Note] :

- [1] Within the allowable travel range, when the itinerary is the maximum, make non-standard treatment. Please contact the company for other special trips;
- [2] The maximum range of the non-standard travel above the first level standard travel of the reform, and its external size of the upper level is the overall size of the standard travel cylinder. For example, the non-standard travel cylinder with a standard stroke of 23 is made from the standard cylinder with a standard stroke of 25, and its shape size is the same.

• Note 2) Pattern

DPAC series ■ Standard specifications correspond - Can't make	Accessories	Double-acting		Single-acting	
		Single rod	Double rod	Single pole-stretch out	Single pole-retraction
Code		$\phi 12 \sim 100$		Diameter $\phi 12 \sim 50$	
Standard	Standard	■	■	■	■
A	Built-in magnet	■	■	■	■
L	Both ends tapped	■	■	■	■
I	Rod end male thread	■	■	■	■
P	With rubber buffer	■	■	-	-
F	With boss on head end	■	-	■	■
LB/LC	Foot seat	■	■	■	■
CB	Double-ear	■	-	■	■
FA/FB	Flange type	■	■	■	■

Technical parameter

Main technical parameters											
Diameter ϕ [mm]	12	16	20	25	32	40	50	63	80	100	
Action type	Single-acting-shrink (H pressure back), single-acting-stretch (C out)								-		
	Double-acting (single, double rod)										
Interface pipe diameter	M5×0.8						G1/8	G1/4	G3/8		
Design	Piston / piston rod / cylinder										
Use the speed range mm/s	Double-acting: 30~500; Single-acting: 50~500										
Stroke tolerance range ¹⁾ mm	(0,+1.0)										
Buffer type	Anti-collision pad or no										
Position sensing	Magnetic switch										
Type of mounting	Pass through the attachment / through the inner thread										
Mounting position	Any										
Allow kinetic energy J	Standard type	0.022	0.038	0.055	0.09	0.15	0.26	0.46	0.77	1.36	2.27
	With Buffer ²⁾	0.043	0.075	0.11	0.18	0.29	0.52	0.91	1.54	2.71	4.54

Working and environmental conditions											
Diameter ϕ [mm]	12	16	20	25	32	40	50	63	80	100	
Working medium	Air (filtered by filter screen above 40 μ m)										
Operating pressure range MPa	Double-acting	0.07 ~ 1			0.05 ~ 1						
	Single-acting	0.25 ~ 1		0.18 ~ 1		0.17 ~ 1	0.15 ~ 1	0.13 ~ 1	-		
Ensure stress resistance MPa	1.5										
Working temperature °C	No magnetic switch: -10~70°C (no freezing) with magnetic switch: -10~60°C (no freezing)										
Corrosion resistance grade	2										

Note 1) The travel length tolerance difference without the variation of the cushion; 2) single-acting is not applicable.

Theoretical Output Table[N]

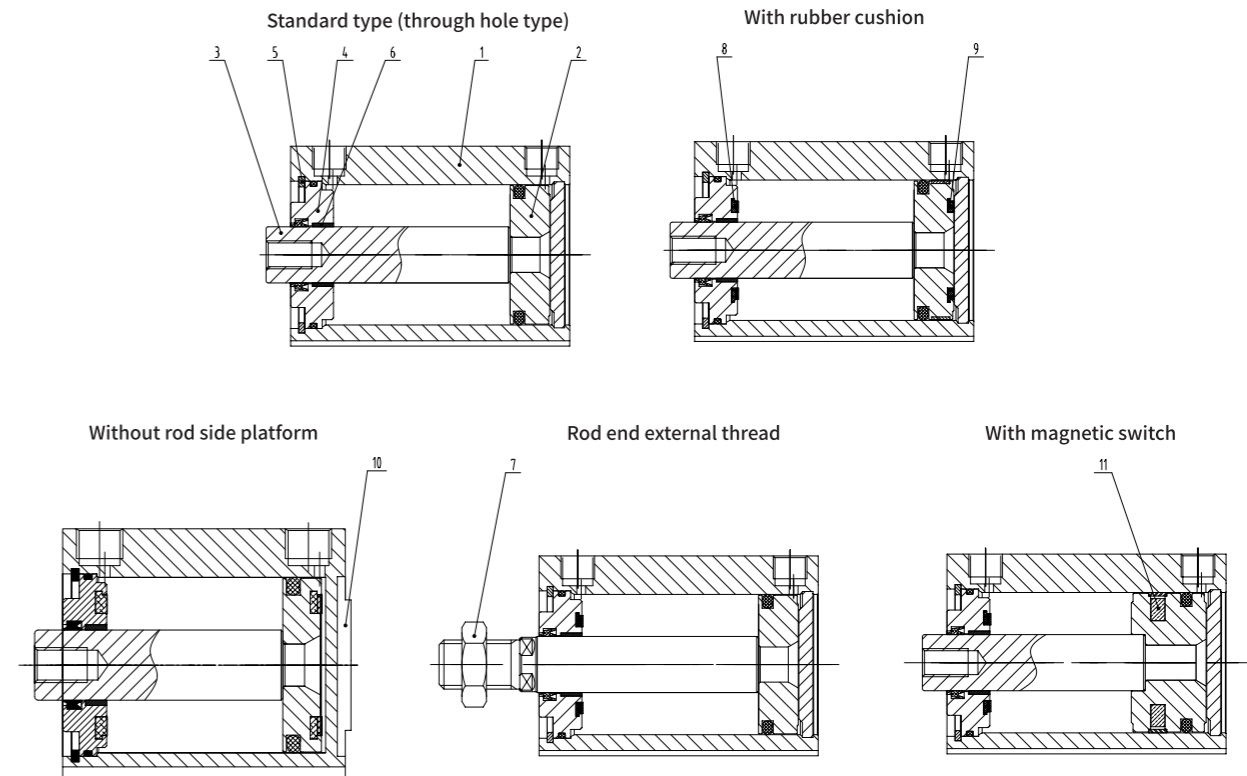


Diameter (mm)	Single rod double-acting						Double rod double-acting			
	Action direction	Operating pressure (MPa)			Operating pressure (MPa)					
		0.3	0.5	0.7	0.3	0.5	0.7			
12	IN	25	42	59	25	42	59			
	OUT	34	57	79						
16	IN	45	75	106	45	75	106			
	OUT	60	101	141						
20	IN	71	118	165	71	118	165			
	OUT	94	157	220						
25	IN	113	189	264	113	189	264			
	OUT	147	245	344						
32	IN	181	302	422	181	302	422			
	OUT	241	402	563						
40	IN	317	528	739	317	528	739			
	OUT	377	628	880						
50	IN	495	825	1150	495	825	1150			
	OUT	589	982	1370						
63	IN	841	1400	1960	841	1400	1960			
	OUT	935	1560	2180						
80	IN	1360	2270	3170	1360	2270	3170			
	OUT	1510	2510	3520						
100	IN	2140	3570	5000	2140	3570	5000			
	OUT	2360	3930	5500						

Diameter (mm)	Single rod single-acting										
	Spring front type			Spring rear type			Stroke (mm)	spring force (N)			
	Operating pressure (MPa)			Operating pressure (MPa)				Spring front type		Spring rear type	
	0.3	0.5	0.7	0.3	0.5	0.7	Second time	First time	Second time	First time	
12	21	44	66	14	31	48	5	13	8.6	11	2.9
							10	13	3.9	9.7	2.8
16	45	86	126	24	54	85	5	15	10.3	20	3.9
							10	15	5.9	20	3.9
20	79	142	205	44	91	138	5	15	10	27	5.3
							10	15	5.9	27	5.9
25	126	224	323	84	160	235	5	20	16	29	9.8
							10	20	11	29	9.8
32	211	372	533	152	273	393	5	30	23	29	20
							10	30	16	29	20
40	338	589	841	288	499	710	5	30	13	29	20
							10	39	21	29	20
50	535	928	1316	412	742	1072	10	50	30	83	24
							20	54	24	83	24

Compact cylinder / standard type: single rod and double-acting

· Structure diagram



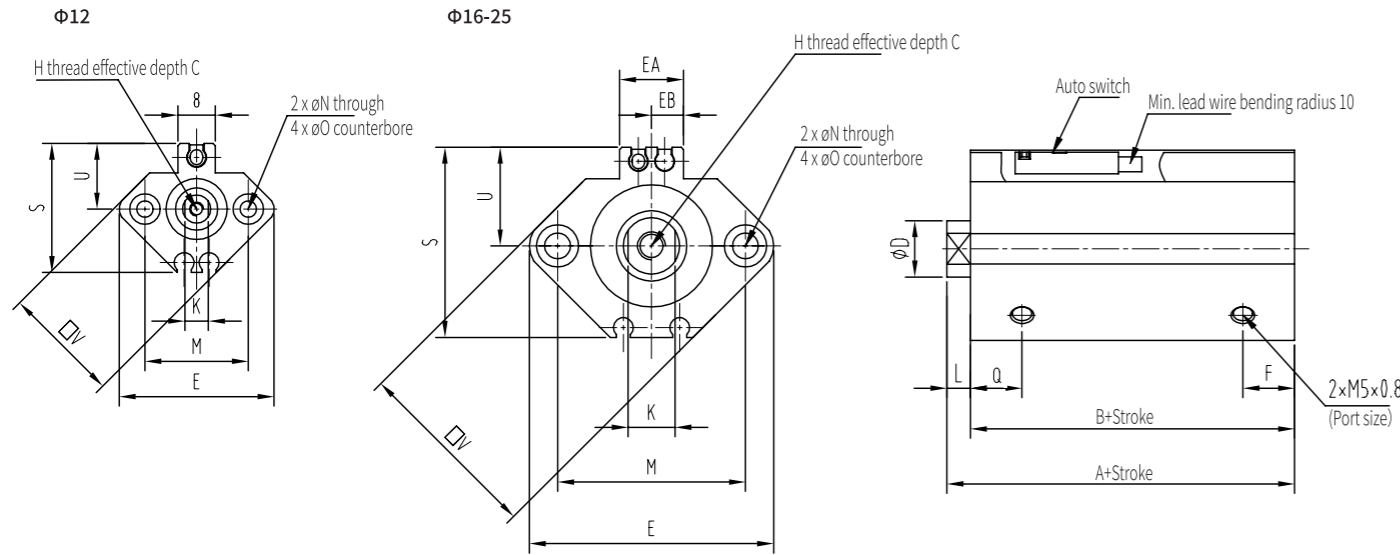
Compact cylinder / standard type: single rod and double-acting		
[1] Cylinder barrel	Aluminium alloy	Hard anodizing
[2] Piston	Aluminium alloy	Anodized
[3] Piston rod	Stainless steel	φ12 ~ φ25
	Carbon steel	φ32 ~ φ100 Hard chrome plating
[4] Cylinder cover	Aluminium alloy	φ12 ~ φ40 Anodized
	Aluminium alloy castings	φ50 ~ φ100 Anodized, spray painted
[5] Elastic collar	Carbon tool steel	Duckro
[6] Guide sleeve	Bearing metal	Only used above φ50
[7] Rod end nut	Carbon steel	Galvanization
[8] Cushion A	PU	
[9] Cushion B	PU	
[10] The platform ring	Aluminium alloy	Hard anodizing
[11] Magnet ring	—	

-Compact cylinder / standard type: single rod and double-acting

·Dimensions

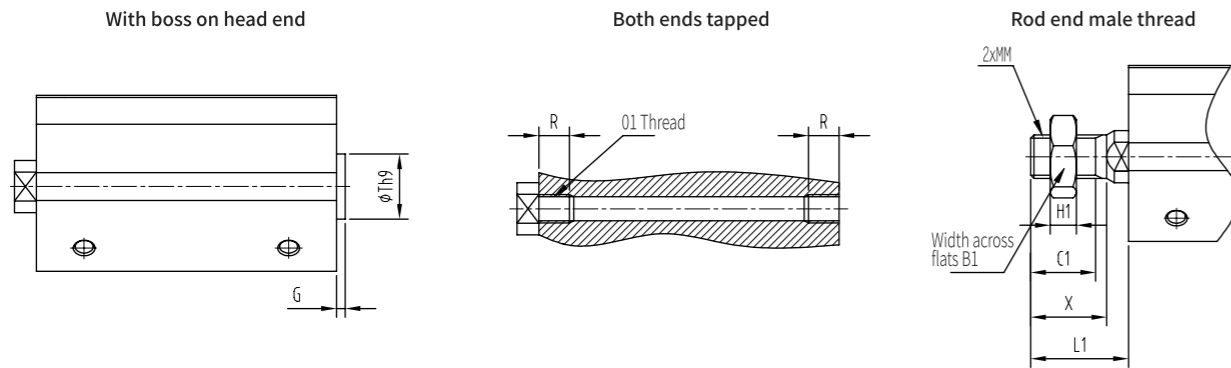
Diameter Φ12、16、20、25mm

Standard type [through-hole type]



Diameter (mm)	Stroke rang (mm)	With magnetic ring			No magnetic ring			C	D	E	EA	EB	F	H	K	L	M	N	O	S	U	V
		A	B	Q	A	B	Q															
12	5~30	31.5	28	9	20.5	17	7.5	6	6	33	8	4	7	M3×0.5	5	3.5	22	3.5	6deep3.5	27.5	14	25
16	5~30	34	30.5	9.5	22	18.5	8	8	8	37	13.2	6.6	5.5	M4×0.7	6	3.5	28	3.5	6deep3.5	29.5	15	29
20	5~50	36	31.5	9	24	19.5	9	7	10	47	13.6	6.8	5.5	M5×0.8	8	4.5	36	5.5	9deep5.5	35.5	18	36
25	5~50	37.5	32.5	11	27.5	22.5	11	12	12	52	13.6	6.8	5.5	M6×1.0	10	5	40	5.5	9deep5.5	40.5	21	40

[Note] : 1. The shape size of the rubber cushion is the same as the above standard type.
2. For occasions with magnetic switch and no magnetic switch, only the dimensions of A, B and Q change, please refer to the size table.



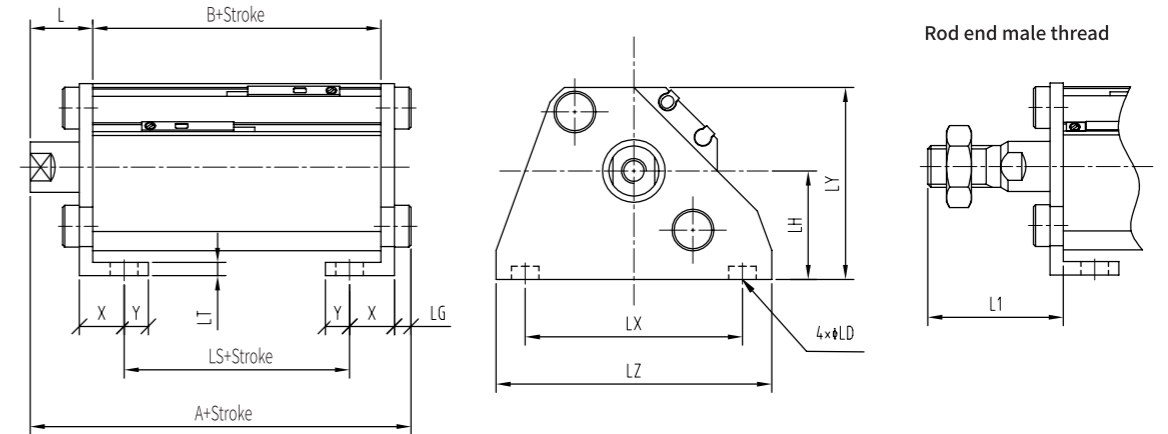
Diameter(mm)	Both ends tapped		With boss on head end		Rod end male thread					
	G	Th9	O1	R	B1	C1	H1	L1	MM	X
12	1.5	15 ⁰ _{-0.043}	M4×0.7	7	8	9	4	14	M5×0.8	10.5
16	1.5	20 ⁰ _{-0.052}	M4×0.7	7	10	10	5	15.5	M6×1.0	12
20	2	13 ⁰ _{-0.043}	M6×1.0	10	13	12	5	18.5	M8×1.25	14
25	2	15 ⁰ _{-0.043}	M6×1.0	10	17	15	6	22.5	M10×1.25	17.5

-Compact cylinder / standard type: single rod and double-acting

·Type of mounting(Diameter Φ12、16、20、25mm)

LB Axial foundation Type

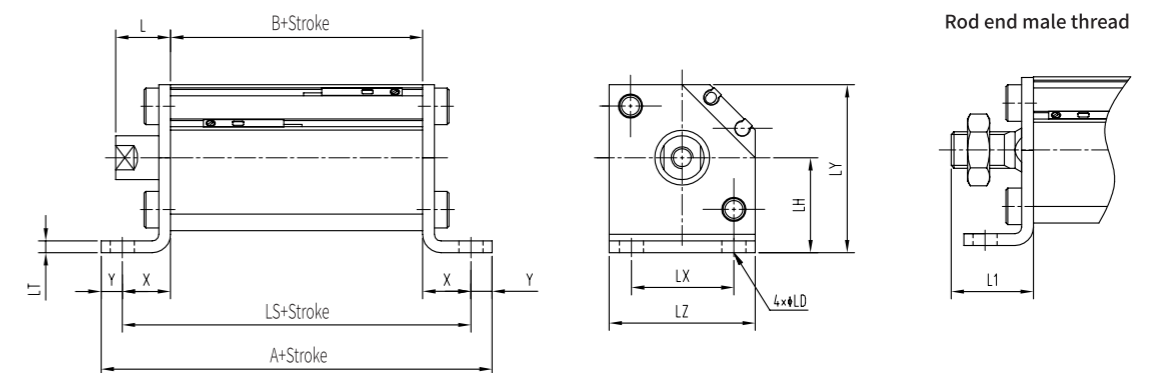
Material: Carbon steel
Surface treatment: nickel-based plating



Diameter (mm)	Stroke rang (mm)	With magnetic ring			No magnetic ring			L	L1	LD	LG	LH	LT	LX	LY	LZ	X	Y
		A	B	LS	A	B	LS											
12	5~30	46.3	28	16	35.3	17	5	13.5	24	4.5	2.8	17	2	34	29.5	44	8	4.5
16	5~30	48.8	30.5	18.5	36.8	18.5	6.5	13.5	25.5	4.5	2.8	19	2	38	33.5	48	8	5
20	5~50	53.2	31.5	19.5	41.2	19.5	7.5	14.5	28.5	6.6	4	24	3.2	48	42	62	9.2	5.8
25	5~50	54.7	32.5	17.5	44.7	22.5	7.5	15	32.5	6.6	4	26	3.2	52	46	66	10.7	5.8

Compact foot LC

Material: Carbon steel
Surface treatment: Galvanized



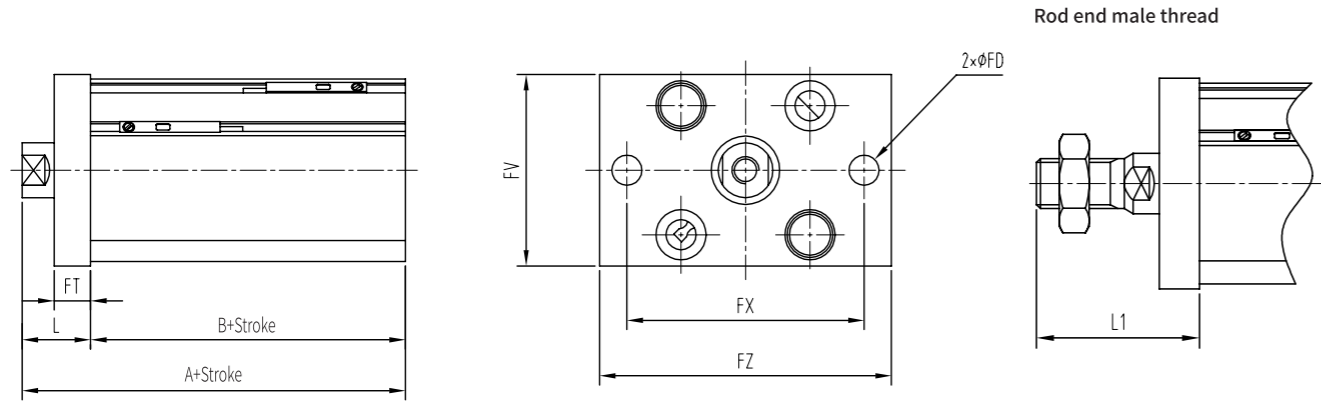
Diameter (mm)	Stroke rang (mm)	With magnetic ring			No magnetic ring			L	L1	LD	LH	LT	LX	LY	LZ	X	Y
		A	B	LS	A	B	LS										
12	5~30	55.6	28	46.6	44.6	17	35.6	13.5	24	4.5	17	2	15.5	29.5	25	9.3	4.5
16	5~30	59.1	30.5	49.1	47.1	18.5	37.1	13.5	25.5	4.5	19	2	20	33.5	29	9.3	5
20	5~50	69.5	31.5	57.9	57.5	19.5	45.9	14.5	28.5	6.6	24	3.2	25.5	42	36	13.2	5.8
25	5~50	70.5	32.5	58.9	60.5	22.5	48.9	15	32.5	6.6	26	3.2	28	46	40	13.2	5.8

-Compact cylinder / standard type: single rod and double-acting

-Type of mounting(Diameter Φ 12、16、20、25mm)

Bar-side flange-type FA

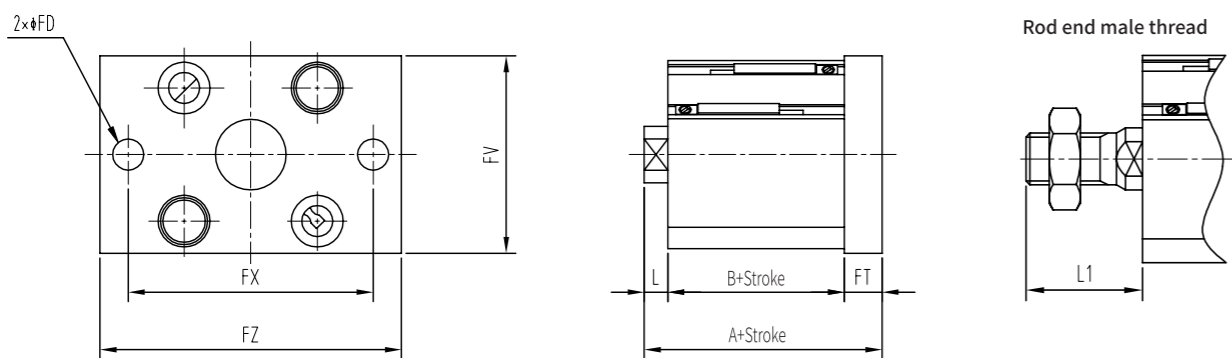
Material: Carbon steel
Surface treatment: nickel-based plating



Diameter (mm)	Stroke rang (mm)	With magnetic ring		No magnetic ring		FD	FT	FV	FX	FZ	L	L1
		A	B	A	B							
12	5~30	41.5	28	30.5	17	4.5	5.5	25	45	55	13.5	24
16	5~30	44	30.5	32	18.5	4.5	5.5	30	45	55	13.5	25.5
20	5~50	46	31.5	34	19.5	6.6	8	39	48	60	14.5	28.5
25	5~50	47.5	32.5	37.5	22.5	6.6	8	42	52	64	15	32.5

Head flange FB

Material: Carbon steel
Surface treatment: nickel-based plating



Stroke rang (mm)	With magnetic ring		No magnetic ring	L	L1
	A	A	A		
5~30	37	26	3.5	14	
5~30	39.5	27.5	3.5	15.5	
5~50	44	32	4.5	18.5	
5~50	45.5	35.5	5	22.5	

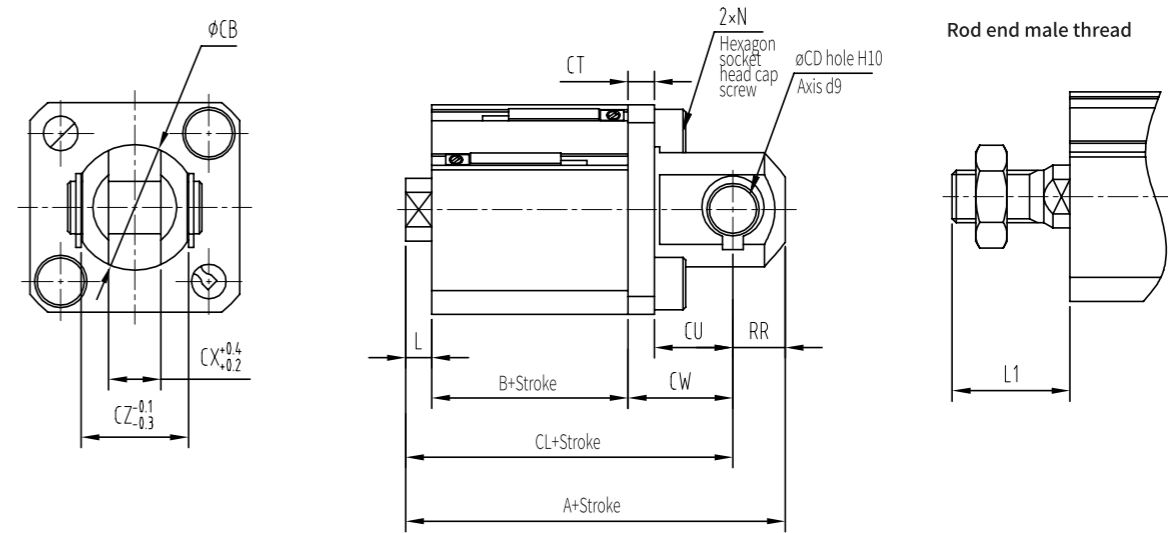
[Note] : Same as the rod side flange type except for dimensions A, L and L1.

-Compact cylinder / standard type: single rod and double-acting

-Type of mounting(Diameter Φ 12、16、20、25mm)

Double-ear CB

Material: Carbon steel
Surface treatment: nickel-based plating



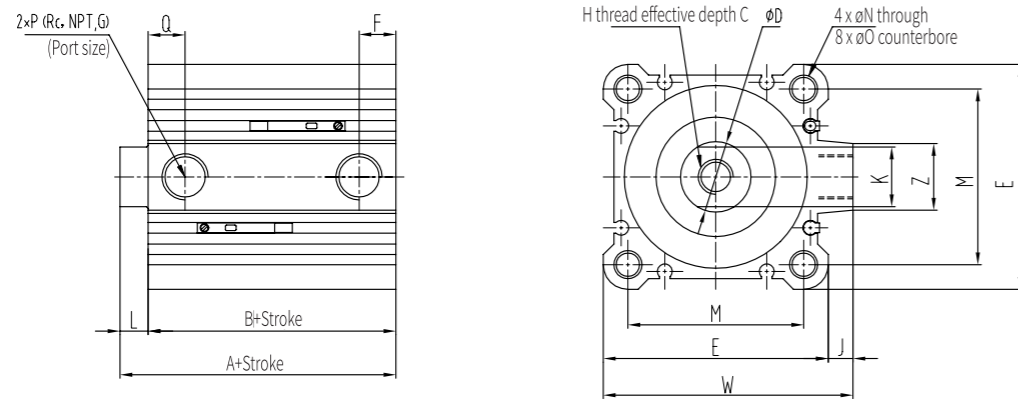
Diameter (mm)	Stroke rang (mm)	With magnetic ring			No magnetic ring			CB	CD	CT	CU	CW	CX	CZ	L	L1	N	RR
		A	B	CL	A	B	CL											
12	5~30	51.5	28	45.5	40.5	17	34.5	12	5	4	7	14	5	10	3.5	14	M4×0.7	6
16	5~30	55	30.5	49	43	18.5	37	14	5	4	10	15	6.5	12	3.5	15.5	M4×0.7	6
20	5~50	63	31.5	54	51	19.5	42	20	8	5	12	18	8	16	4.5	18.5	M6×1.0	9
25	5~50	67.5	32.5	57.5	57.5	22.5	47.5	24	10	5	14	20	10	20	5	22.5	M6×1.0	10

-Compact cylinder / standard type: single rod and double-acting

·Dimensions

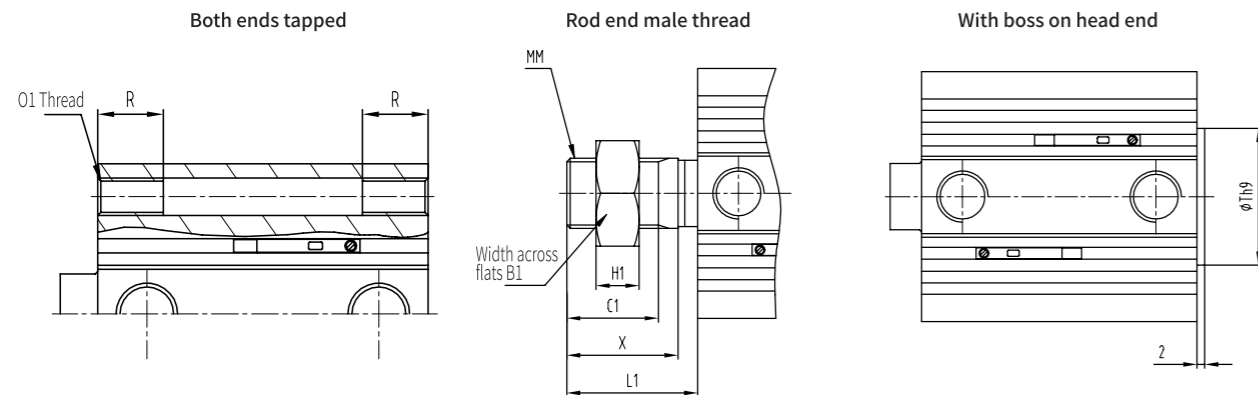
Diameter Φ 32、40、50mm

Normalized form



Diameter (mm)	Stroke rang (mm)	No magnetic ring					With magnetic ring					C	D	E	H	J	K	L	M	N	O	W	Z
		A	B	F	P	Q	A	B	F	P	Q												
32	5	30	23	6.5	1/8	7.5	40	33	7.5	1/8	10.5	14	16	45	M8×1.25	4.5	14	7	34	5.5	9 deep 5.5	49.5	14
	10~50			10.5																			
	60~100	40	33	7.5	10.5																		
40	5~50	36.5	29.5	8	1/8	11	46.5	39.5	8	1/8	11	15	16	52	M8×1.25	5	14	7	40	5.5	9 deep 5.5	57	15
	60~100	46.5	39.5																				
	5	38.5	30.5	9	1/4	9																	
10~50	48.5	40.5	10.5	10.5		48.5	40.5	10.5	1/4	10.5	19	20	64	M10×1.5	7	18	8	50	6.6	10.5 deep 6.5	71	19	

[Note] : 1. The shape size of the rubber cushion is the same as the above standard type; 2. For the magnetic switch and no magnetic switch, only the size of A, B, F, P and Q has changed. Please refer to the size table. rodend Male thread With boss on head end Both ends tapped.



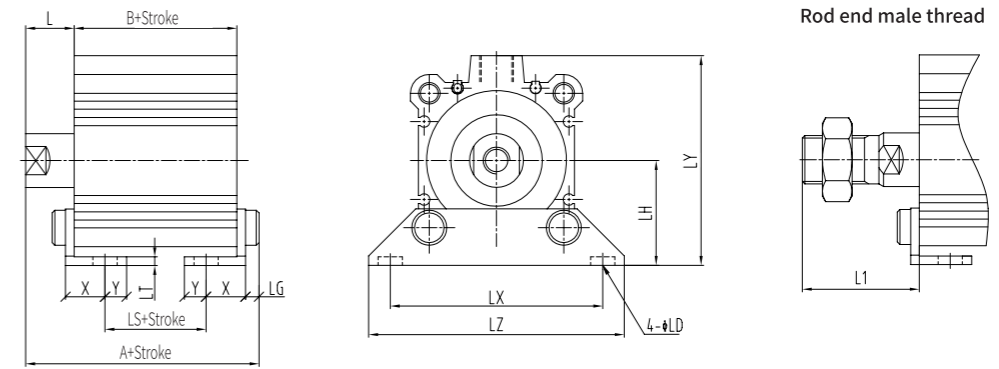
Diameter(mm)	Both ends tapped		Rod end male thread						With boss on head end
	O1	R	B1	C1	H1	L1	MM	X	Th9
32	M6×1.0	10	22	20.5	8	28.5	M14×1.5	23.5	21 ⁰ _{-0.052}
40	M6×1.0	10	22	20.5	8	28.5	M14×1.5	23.5	28 ⁰ _{-0.052}
50	M8×1.25	14	27	26	11	33.5	M18×1.5	28.5	35 ⁰ _{-0.062}

-Compact cylinder / standard type: single rod and double-acting

·Type of mounting(Diameter Φ 32、40、50mm)

Axial base type LB

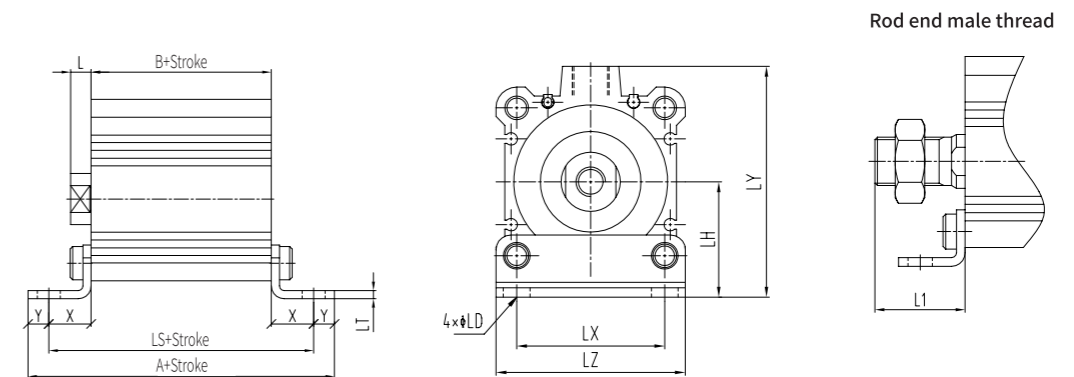
Material: Carbon steel
Surface treatment: nickel-based plating



Diameter (mm)	Stroke rang (mm)	No magnetic ring			With magnetic ring			L	L1	LD	LG	LH	LT	LX	LY	LZ	X	Y
		A	B	LS	A	B	LS											
32	5~50	47.2	23	7	57.2	33	17	17	38.5	6.6	4	30	3.2	57	57	71	11.2	5.8
	75, 100	57.2	33	17														
40	5~50	53.7	29.5	13.5	63.7	39.5	23.5	17	38.5	6.6	4	33	3.2	64	64	78	11.2	7
	75, 100	63.7	39.5	23.5														
50	10~50	56.7	30.5	7.5	66.7	40.5	17.5	18	43.5	9	5	39	3.2	79	78	95	14.7	8
	75, 100	66.7	40.5	17.5														

Compact foot base type LC

Material: Carbon steel
Surface treatment: Galvanized



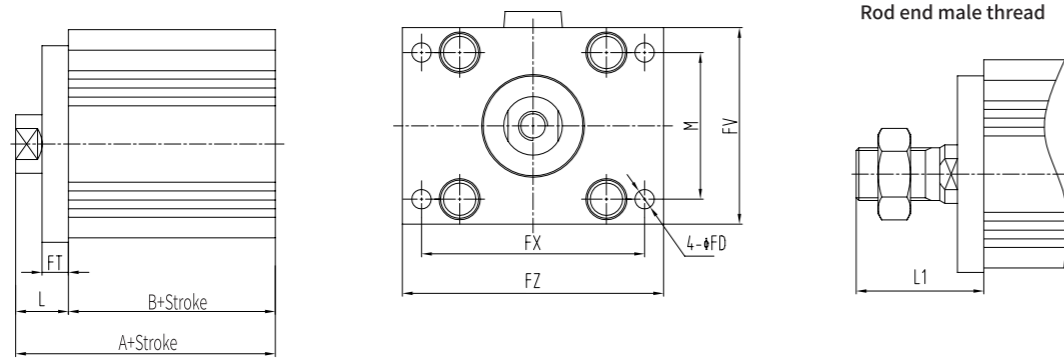
Diameter (mm)	Stroke rang (mm)	No magnetic ring			With magnetic ring			L	L1	LD	LH	LT	LX	LY	LZ	X	Y
		A	B	LS	A	B	LS										
32	5~50	62	23	50.4	72	33	60.4	17	38.5	6.6	30	3.2	34	57	45	13.7	5.8
	75, 100	72	33	60.4													
40	5~50	70.9	29.5	56.9	80.9	39.5	66.9	17	38.5	6.6	33	3.2	40	64	52	13.7	7
	75, 100	80.9	39.5	66.9													
50	10~50	79.9	30.5	63.9	89.9	40.5	73.9	18	43.5	9	39	3.2	50	78	64	16.7	8
	75, 100	89.9	40.5	73.9													

-Compact cylinder / standard type: single rod and double-acting

-Type of mounting(Diameter Φ32、40、50mm)

Rod flange FA

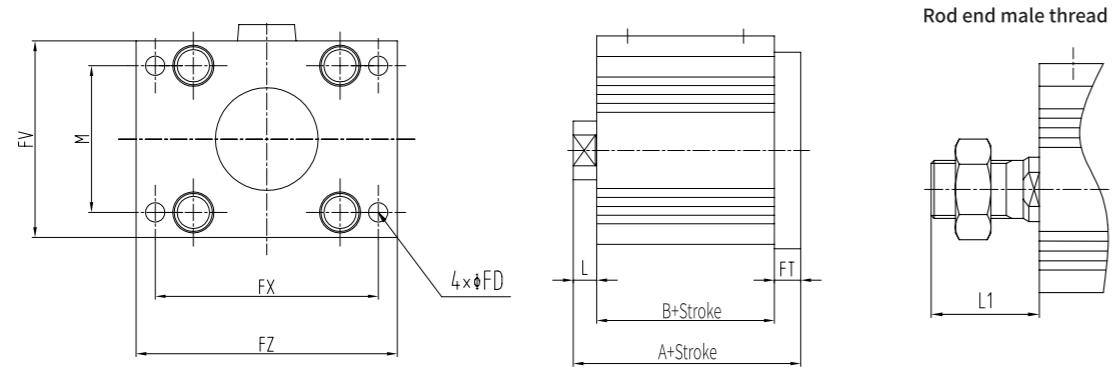
Material: Carbon steel
Surface treatment: nickel-based plating



Diameter (mm)	Stroke rang (mm)	No magnetic ring		With magnetic ring		FD	FT	FV	FX	FZ	L	L1	M
		A	B	A	B								
32	5~50	40	23	50	33	5.5	8	48	56	65	17	38.5	34
	75, 100	50	33										
40	5~50	46.5	29.5	56.5	39.5	5.5	8	54	62	72	17	38.5	40
	75, 100	56.5	39.5										
50	10~50	48.5	30.5	58.5	40.5	6.6	9	67	76	89	18	43.5	50
	75, 100	58.5	40.5										

Head flange FB

Material: Carbon steel
Surface treatment: nickel-based plating



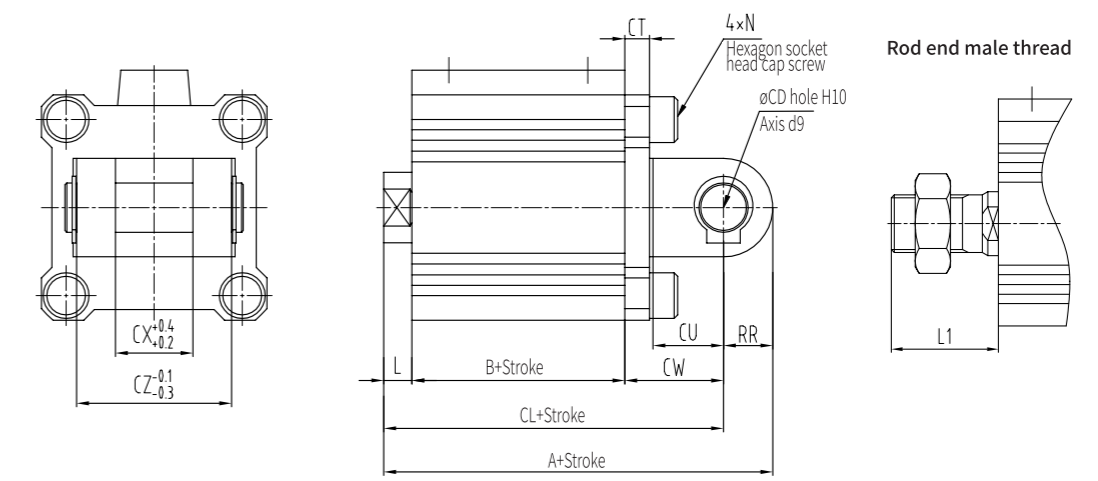
Diameter (mm)	Stroke rang (mm)	No magnetic ring		With magnetic ring	
		A	B	A	B
32	5~50	38		48	
	75, 100	48			
40	5~50	44.5		54.5	
	75, 100	54.5			
50	10~50	47.5		57.5	
	75, 100	57.5			

-Compact cylinder / standard type: single rod and double-acting

-Type of mounting(Diameter Φ32、40、50mm)

Double-ear CB

Material: Carbon steel
Surface treatment: nickel-based plating



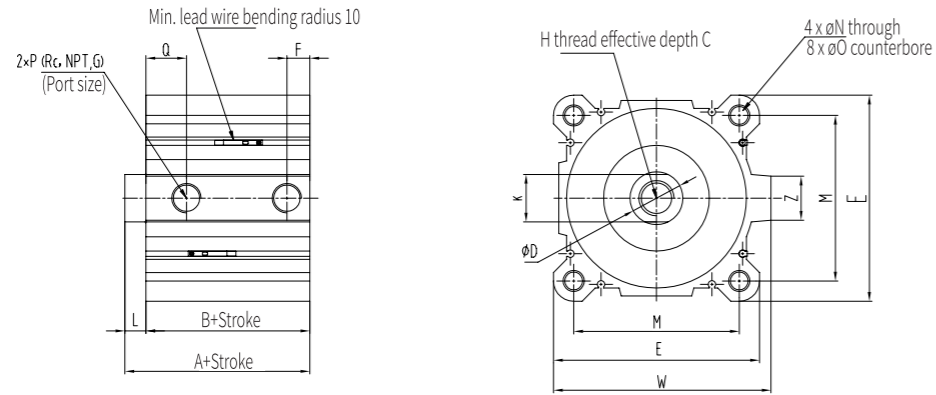
Diameter (mm)	Stroke rang (mm)	No magnetic ring			With magnetic ring			CD	CT	CU	CW	CX	CZ	L	L1	N	RR
		A	B	CL	A	B	CL										
32	5~50	60	23	50	70	33	60	10	5	14	20	18	36	7	28.5	M6×1.0	10
	75, 100	70	33	60													
40	5~50	68.5	29.5	58.5	78.5	39.5	68.5	10	6	14	22	18	36	7	28.5	M6×1.0	10
	75, 100	78.5	39.5	68.5													
50	10~50	80.5	30.5	66.5	90.5	40.5	76.5	14	7	20	28	22	44	8	33.5	M8×1.25	14
	75, 100	90.5	40.5	76.5													

-Compact cylinder / standard type: single rod and double-acting

·Dimensions

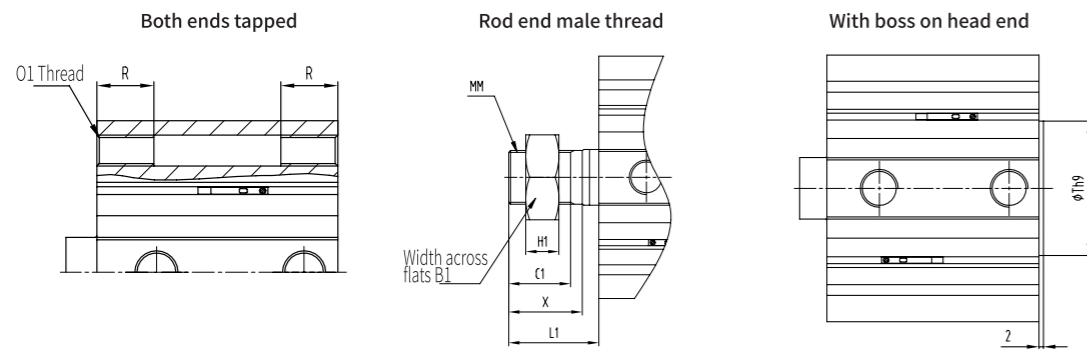
Diameter Φ63、80、100mm

Normalized form



Diameter (mm)	Stroke rang (mm)	No magnetic ring		With magnetic ring		C	D	E	F	H	J	K	L	M	N	O	P	Q	W	Z
		A	B	A	B															
63	10~50	44	36	54	46	15	16	77	10.5	M10×1.5	7	18	8	60	9	14 deep 9	1/4	15	84	19
	60~100	54	46																	
80	5~50	53.5	43.5	63.5	53.5	20	25	98	14	M16×2	6	22	10	77	11	17 deep 11	3/8	16	104	25
	60~100	63.5	53.5																	
100	5~50	65	53	75	63	26	30	117	17.5	M20×2.5	6.5	27	12	94	11	17 deep 11	3/8	20	123.5	25
	60~100	75	63																	

[Note] : 1. The external size with cushion is the same as the standard type above.
2. For cases with magnetic switch, only A, B have dimension changes, please refer to the dimension table.



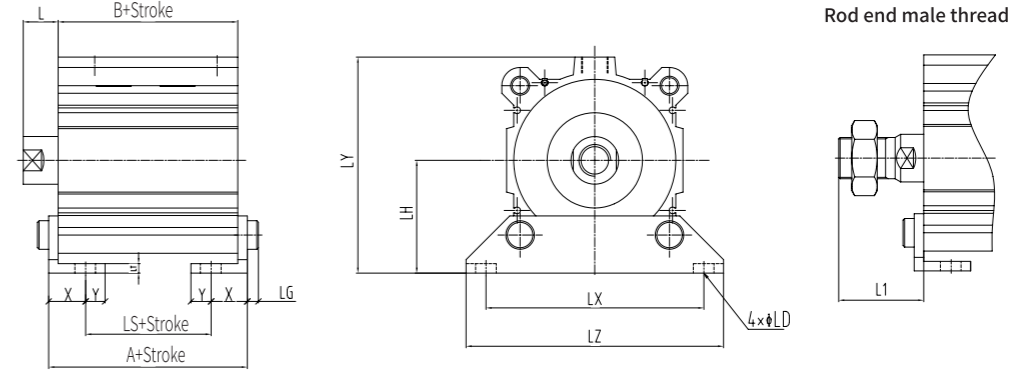
Diameter (mm)	Rod end male thread						With boss on head end	Both ends tapped	
	B1	C1	H1	L1	MM	X	Th9	O1	R
63	27	26	11	33.5	M18×1.5	28.5	35 ⁰ _{-0.062}	M10×1.5	18
80	32	32.5	13	43.5	M22×1.5	35.5	43 ⁰ _{-0.062}	M12×1.75	22
100	41	32.5	16	43.5	M26×1.5	35.5	59 ⁰ _{-0.074}	M12×1.75	22

-Compact cylinder / standard type: single rod and double-acting

·Type of mounting(Diameter Φ63、80、100mm)

Axial base-type LB

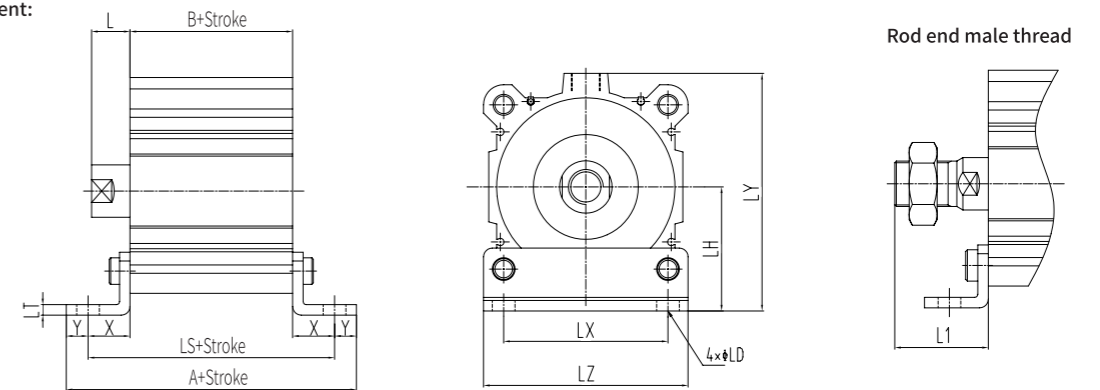
Material: Carbon steel
Surface treatment: nickel-based plating



Diameter (mm)	Stroke rang (mm)	No magnetic ring			With magnetic ring			L	L1	LD	LG	LH	LT	LX	LY	LZ	X	Y
		A	B	LS	A	B	LS											
63	10~50	62.2	36	10	72.2	46	20	18	43.5	11	5	46	3.2	95	91.5	113	16.2	9
	75, 100	72.2	46	20														
80	10~50	75	43.5	13.5	85	53.5	23.5	20	53.5	13	7	59	4.5	118	114	140	19.5	11
	75, 100	85	53.5	23.5														
100	10~50	88	53	19	98	63	29	22	53.5	13	7	71	6	137	136	162	23	12.5
	75, 100	98	63	29														

Compact foot LC

Material: Carbon steel
Surface treatment: Galvanized



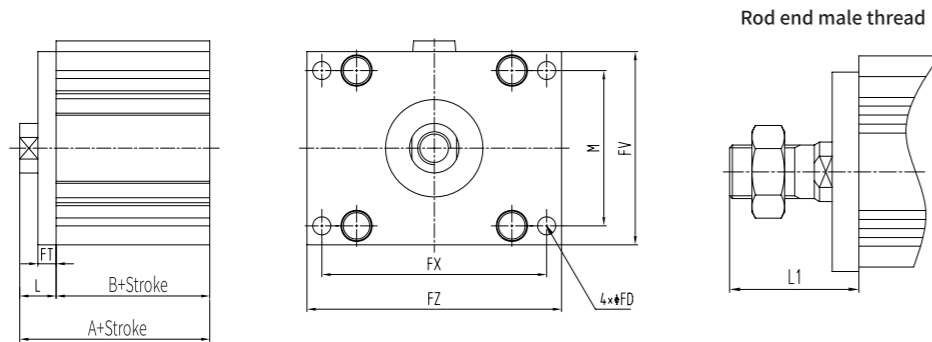
Diameter (mm)	Stroke rang (mm)	No magnetic ring			With magnetic ring			L	L1	LD	LH	LT	LX	LY	LZ	X	Y
		A	B	LS	A	B	LS										
63	10~50	90.4	36	72.4	100.4	46	82.4	18	43.5	11	46	3.2	60	91.5	77	18.2	9
	75, 100	100.4	46	82.4													
80	10~50	110.5	43.5	88.5	120.5	53.5	98.5	20	53.5	13	59	4.5	77	114	98	22.5	11
	75, 100	120.5	53.5	98.5													
100	10~50	126	53	101	136	63	111	22	53.5	13	71	6	94	136	117	24	12.5
	75, 100	136	63	111													

-Compact cylinder / standard type: single rod and double-acting

-Type of mounting(Diameter Φ63、80、100mm)

Rod-side flange-type FA

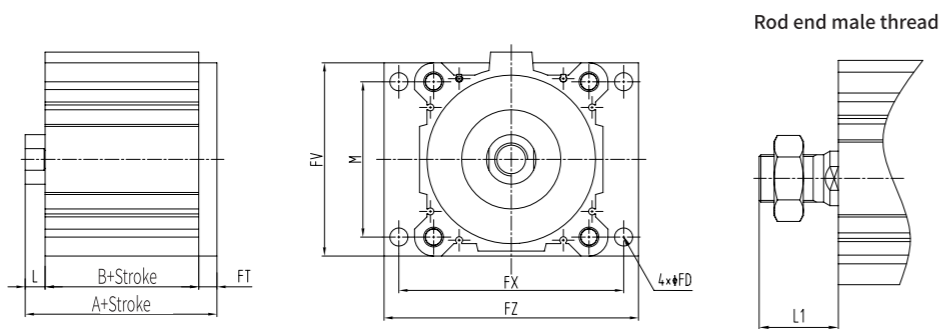
Material: Carbon steel
Surface treatment: nickel-based plating



Diameter (mm)	Stroke rang (mm)	No magnetic ring		With magnetic ring		FD	FT	FV	FX	FZ	L	L1	M
		A	B	A	B								
63	10~50	54	36	64	46	9	9	80	92	108	18	43.5	60
	75, 100	64	46										
80	10~50	63.5	43.5	73.5	53.5	11	11	99	116	134	20	53.5	77
	75, 100	73.5	53.5										
100	10~50	75	53	85	63	11	11	117	136	154	22	53.5	94
	75, 100	85	63										

Head flange FB

Material: Carbon steel
Surface treatment: nickel-based plating



Diameter (mm)	Stroke rang (mm)	No magnetic ring		With magnetic ring		L	L1
		A	B	A	B		
63	10~50	53		63		8	33.5
	75, 100	63					
80	10~50	64.5		74.5		10	43.5
	75, 100	74.5					
100	10~50	76		86		12	43.5
	75, 100	86					

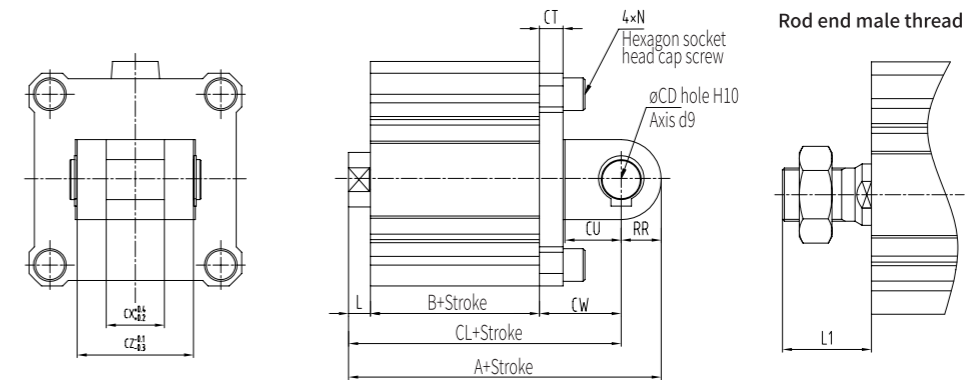
[Note] : Same as the rod side flange type except for dimensions A, L and L1.

-Compact cylinder / standard type: single rod and double-acting

-Type of mounting(Diameter Φ63、80、100mm)

Double-ear CB

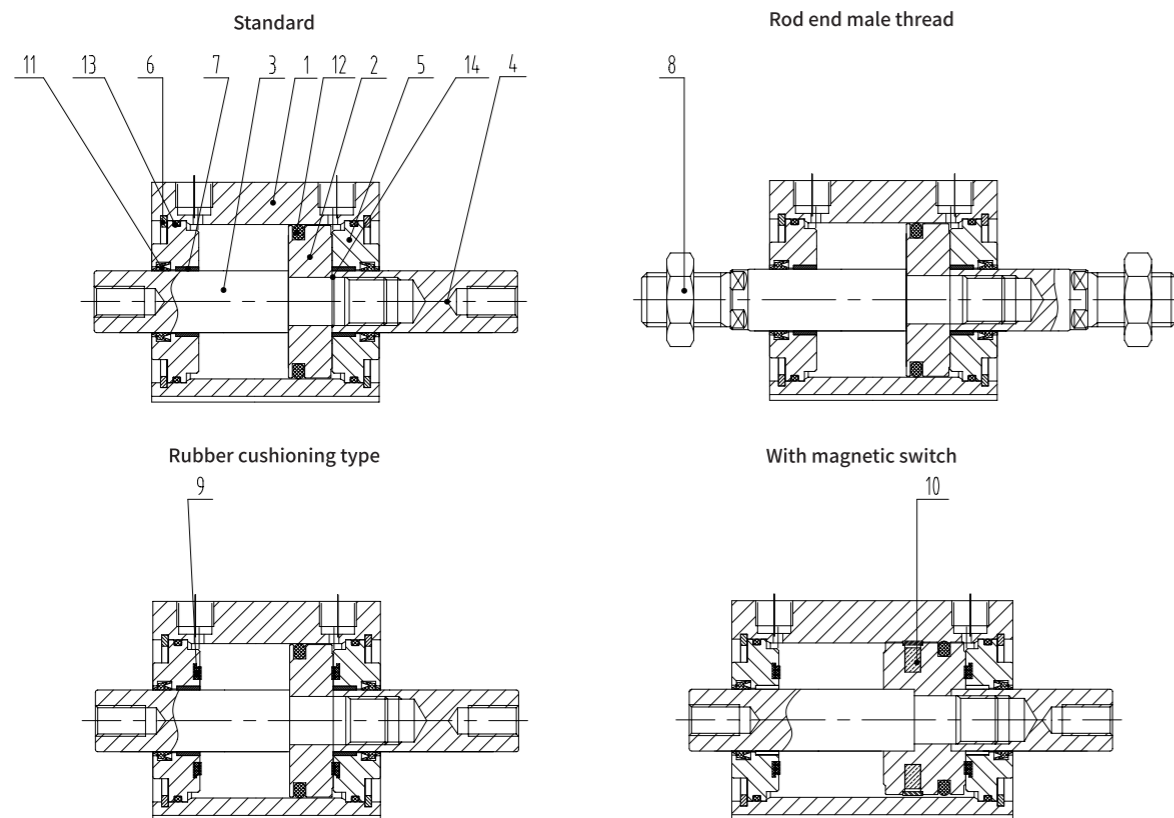
Material: Carbon steel
Surface treatment: nickel-based plating



Diameter (mm)	Stroke rang (mm)	No magnetic ring			With magnetic ring			CD	CT	CU	CW	CX	CZ	L	L1	N	RR
		A	B	CL	A	B	CL										
63	10~50	88	36	74	98	46	84	14	8	20	30	22	44	8	33.5	M10×1.5	14
	75, 100	98	46	84													
80	10~50	109.5	43.5	91.5	119.5	53.5	101.5	18	10	27	38	28	56	10	43.5	M12×1.75	18
	75, 100	119.5	53.5	101.5													
100	10~50	132	53	110	142	63	120	22	13	31	45	32	64	12	43.5	M12×1.75	22
	75, 100	142	63	120													

Compact cylinder / standard type: double rod and double-acting

Structure diagram

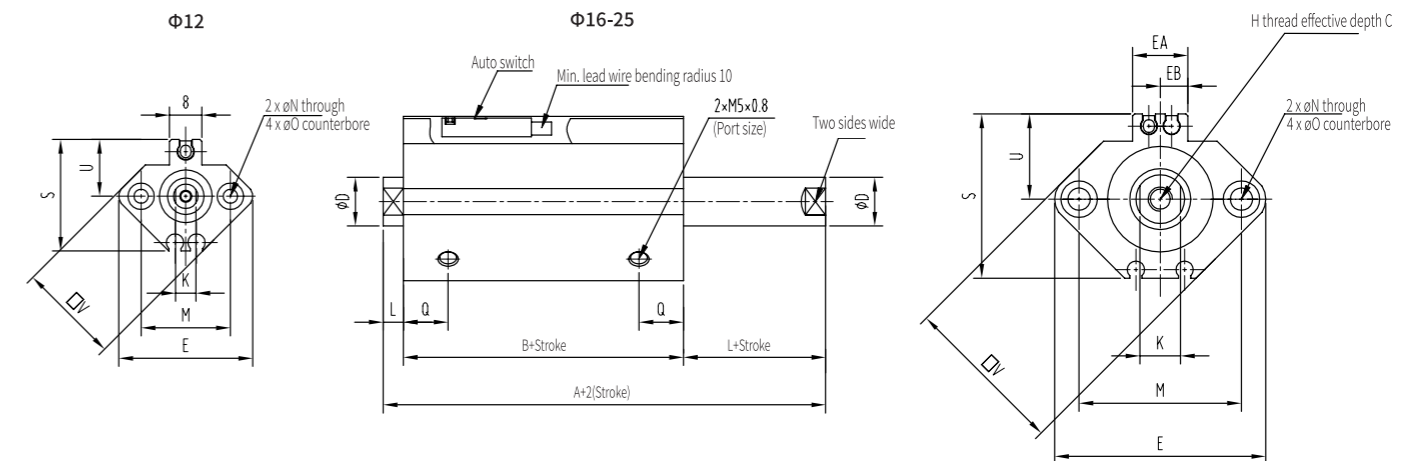


-Compact cylinder / standard type: double rod and double-acting

Dimensions

Diameter $\Phi 12, 16, 20, 25$ mm

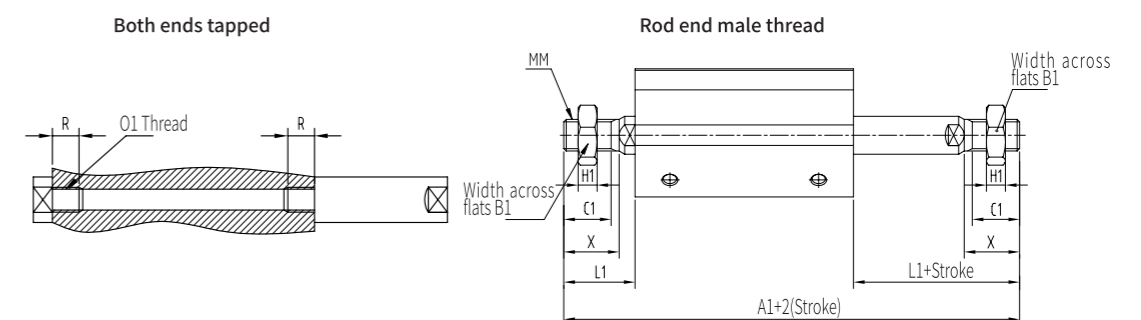
Standard form



Diameter (mm)	Stroke rang(mm)	With magnetic ring			No magnetic ring			C	D	E	EA	EB	H	L	K	M	N	O	S	U	V
		A	B	Q	A	B	Q														
12	5~30	39.4	32.4	10.5	32.2	25.2	10	6	6	33	-	-	M3×0.5	3.5	5	22	3.5	6.5deep3.5	27.5	14	25
16	5~30	43	36	10	33	26	10	8	8	37	13.2	6.6	M4×0.7	3.5	6	28	3.5	6.5deep3.5	29.5	15	29
20	5~50	47	38	10.5	35	26	9.5	7	10	47	13.6	6.8	M5×0.8	4.5	8	36	5.5	9deep7	35.5	18	36
25	5~50	49	39	11	39	29	11	12	12	52	13.6	6.8	M6×1.0	5	10	40	5.5	9deep7	40.5	21	40

[Note] : The external dimension of the cushion pad is the same as the standard type noted above

Compact cylinder / standard type: double rod and double-acting			
[1]	Cylinder barrel	Aluminium alloy	Hard anodizing
[2]	Piston	Aluminium alloy	Chromate
[3]	Piston rod A	Stainless steel	$\phi 12\sim\phi 25$
		Carbon steel	$\phi 32\sim\phi 100$ Hard chrome plating
[4]	Piston rod B	Stainless steel	$\phi 12\sim\phi 25$
		Carbon steel	$\phi 32\sim\phi 100$ Hard chrome plating
[5]	End cover	Aluminium alloy	$\phi 12\sim\phi 40$ Anodic oxidation
		Aluminium alloy castings	$\phi 50\sim\phi 100$ Chromate, spray paint
[6]	Elastic collar	Carbon tool steel	Phosphate coated
[7]	Guide sleeve	Bearing metal	Only used above $\phi 50$
[8]	Rodend nut	Bearing metal	Galvanization
[9]	Cushion	PU	
[10]	Magnet ring	-	-
[11]	Piston rod seal ring	NBR	
[12]	piston seal	NBR	
[13]	Cylinder static seal ring	NBR	
[14]	Piston static seal ring	NBR	



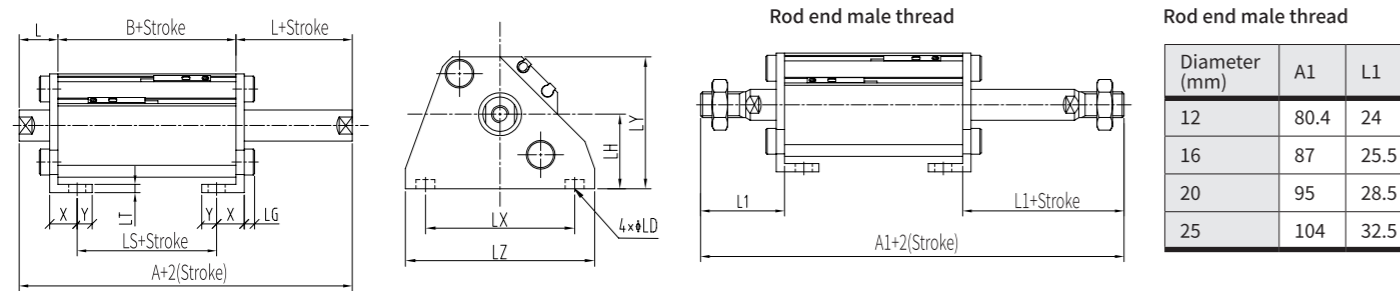
Diameter (mm)	Rod end male thread											
	With magnetic ring		No magnetic ring		B1	C1	H1	L1	MM	X	O1	R
	A1	A	A	A								
12	60.4	53.2	8	9	4	14	M5×0.8	10.5	M4×0.7	7		
16	67	57	10	10	5	15.5	M6×1.0	12	M4×0.7	7		
20	75	63	13	12	5	18.5	M8×1.25	14	M6×1.0	10		
25	84	74	17	15	6	22.5	M10×1.25	17.5	M6×1.0	10		

-Compact cylinder / standard type: double rod and double-acting

-Type of mounting(Diameter Φ12、16、20、25 mm)

Axial base type LB

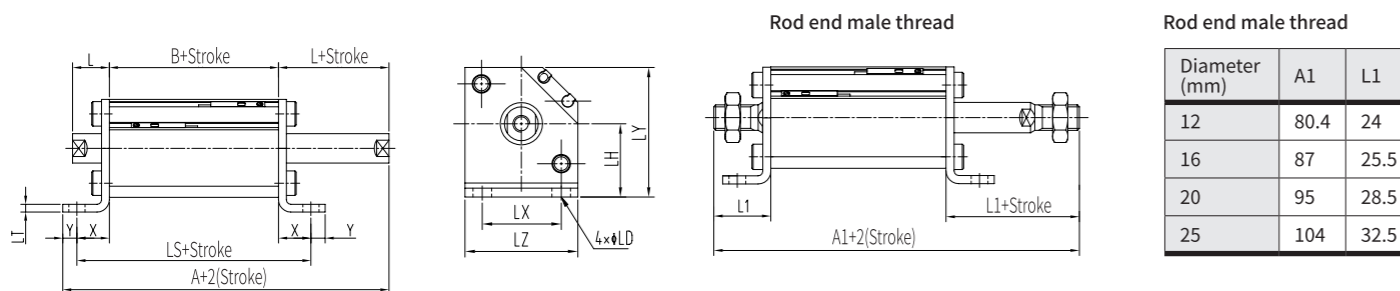
Material: Carbon steel
Surface treatment: nickel-based plating



Diameter (mm)	Stroke rang (mm)	With magnetic ring			No magnetic ring			L	LD	LG	LH	LT	LX	LY	LZ	X	Y
		A	B	LS	A	B	LS										
12	5~30	59.4	32.4	20.4	52.2	25.2	13.2	13.5	4.5	2.8	17	2	34	29.5	44	8	4.5
16	5~30	63	36	24	53	26	14	13.5	4.5	2.8	19	2	38	33.5	48	8	5
20	5~50	67	38	26	55	26	14	14.5	6.6	4	24	3.2	48	42	62	9.2	5.8
25	5~50	69	39	24	59	29	14	15	6.6	4	26	3.2	52	46	66	10.7	5.8

Compact foot base type LC

Material: Carbon steel
Surface treatment: Galvanized



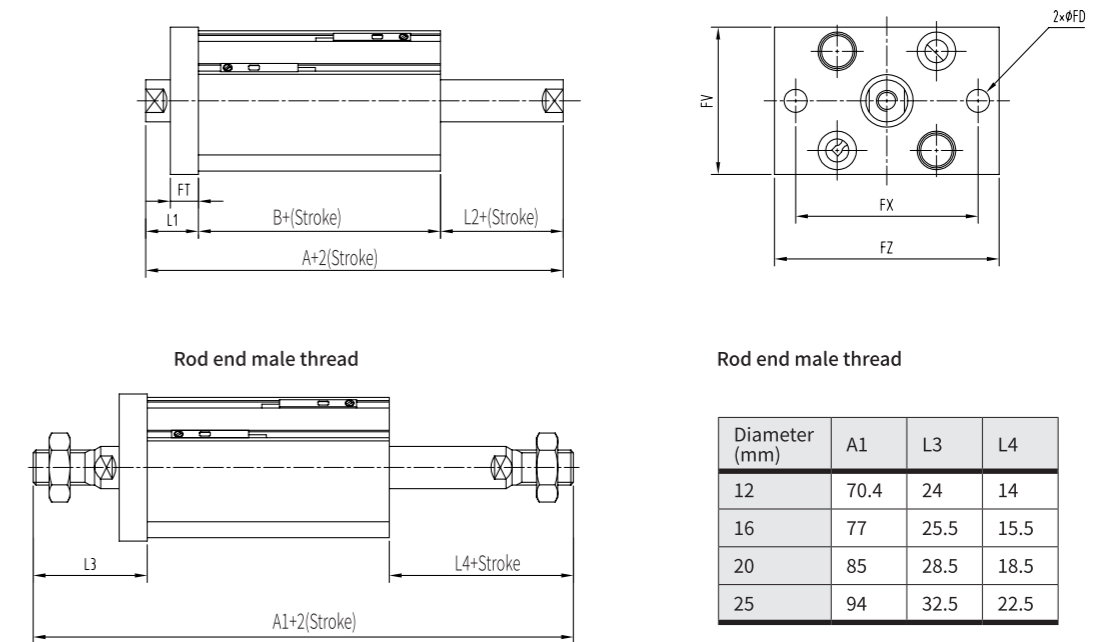
Diameter (mm)	Stroke rang (mm)	With magnetic ring			No magnetic ring			L	LD	LH	LT	LX	LY	LZ	X	Y
		A	B	LS	A	B	LS									
12	5~30	59.7	32.4	51	52.5	25.2	43.8	13.5	4.5	17	2	15.5	29.5	25	9.3	4.5
16	5~30	63.8	36	54.6	53.8	26	44.6	13.5	4.5	19	2	20	33.5	29	9.3	5
20	5~50	71.5	38	64.4	59.5	26	52.4	14.5	6.6	24	3.2	25.5	42	36	13.2	5.8
25	5~50	73	39	65.4	63	29	55.4	15	6.6	26	3.2	28	46	40	13.2	5.8

-Compact cylinder / standard type: double rod and double-acting

-Type of mounting(Diameter Φ12、16、20、25 mm)

Flange-type FA

Material: Carbon steel
Surface treatment: nickel-based plating



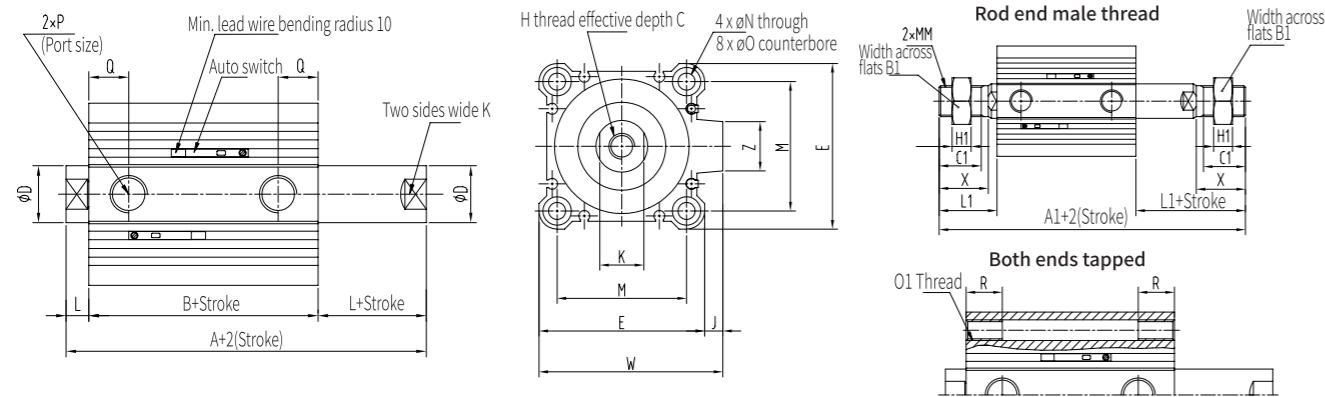
Diameter (mm)	Stroke rang (mm)	With magnetic ring		No magnetic ring		FD	FT	FV	FX	FZ	L1	L2
		A	B	A	B							
12	5~30	49.4	32.4	42.2	25.2	4.5	5.5	25	45	55	13.5	3.5
16	5~30	53	36	43	26	4.5	5.5	30	45	55	13.5	3.5
20	5~50	57	38	45	26	6.6	8	39	48	60	14.5	4.5
25	5~50	59	39	49	29	6.6	8	42	52	64	15	5

-Compact cylinder / standard type: double rod and double-acting

·Dimensions

Diameter Φ32、40、50mm

Standard type (through-hole type)



Diameter (mm)	Stroke rang (mm)	Rod end male thread								Two ends of the screw hole	
		No magnetic ring A1	With magnetic ring A1	B1	C1	H1	L1	MM	X	O1	R
32	5	87.5	97.5	22	20.5	8	28.5	M14×1.5	23.5	M6×1.0	10
	10~50										
	75,100										
40	5~50	97	107	22	20.5	8	28.5	M14×1.5	23.5	M6×1.0	10
	75,100	107									
50	10~50	107.5	117.5	27	26	11	33.5	M18×1.5	28.5	M8×1.25	14
	75,100	117.5									

Standard form

Diameter (mm)	Stroke rang (mm)	No magnetic ring			With magnetic ring		
		A	B	P	A	B	P
32	5	44.5	30.5	M5	54.5	40.5	1/8
	10~50			1/8			
	75,100	54.5	40.5	1/8			
40	5~50	54	40	1/8	64	50	1/8
	75,100	64	50				
50	10~50	56.5	40.5	1/4	66.5	50.5	1/4
	75,100	66.5	50.5				

Diameter(mm)	C	D	E	H	J	K	L	M	N	O	Q	W	Z
32	13	16	45	M8×1.25	4.5	14	7	34	5.5	9deep7	12.5	49.5	14
40	13	16	52	M8×1.25	5	14	7	40	5.5	9deep7	14	57	15
50	15	20	64	M10×1.5	7	17	8	50	6.6	11deep8	14	71	19

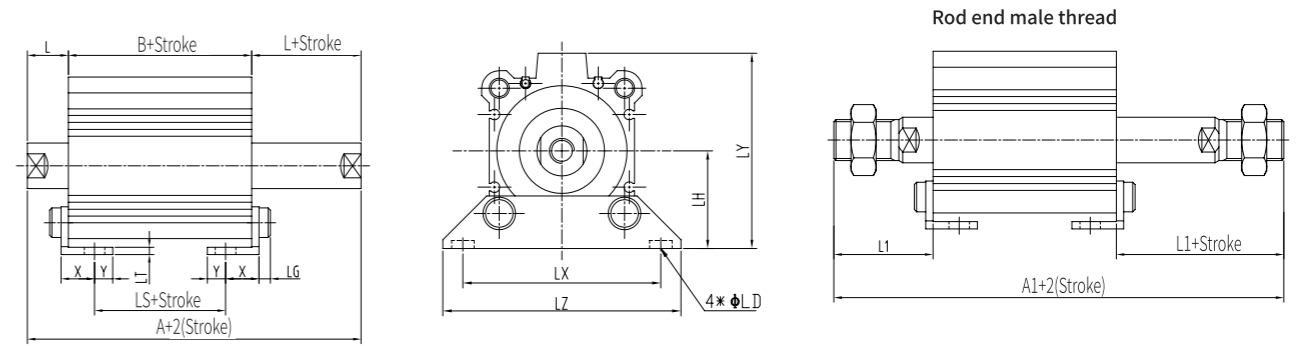
[Note] : The external dimension of the cushion pad is the same as the standard type noted above

-Compact cylinder / standard type: double rod and double-acting

·Type of mounting(Diameter Φ32、40、50mm)

Axial base type LB

Material: Carbon steel
Surface treatment: nickel-based plating



Rod end male thread

Diameter (mm)	Stroke rang (mm)	No magnetic ring		With magnetic ring		L1
		A1		A1		
32	5~50	107.5		117.5		38.5
	75,100	117.5				
40	5~50	117		127		38.5
	75,100	127				
50	10~50	127.5		137.5		43.5
	75,100	137.5				

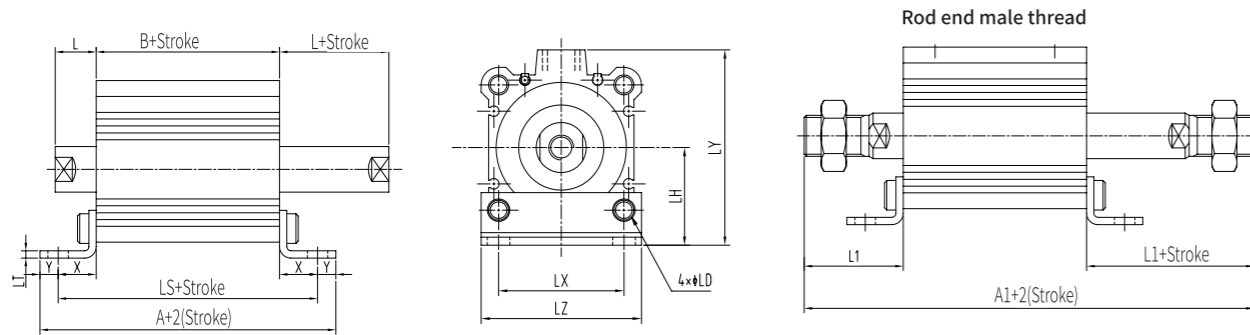
Diameter (mm)	Stroke rang (mm)	No magnetic ring			With magnetic ring			L	LD	LG	LH	LT	LX	LY	LZ	X	Y
		A	B	LS	A	B	LS										
32	5~50	64.5	30.5	14.5	74.5	40.5	24.5	17	6.6	4	30	3.2	57	57	71	11.2	5.8
	75, 100	74.5	40.5	24.5													
40	5~50	74	40	24	84	50	34	17	6.6	4	33	3.2	64	64	78	11.2	7
	75, 100		50	34													
50	10~50	76.5	40.5	17.5	86.5	50.5	27.5	18	9	5	39	3.2	79	78	95	14.7	8
	75, 100	86.5	50.5	27.5													

-Compact cylinder / standard type: double rod and double-acting

-Type of mounting(Diameter Φ32、40、 50mm)

Compact foot base type LC

Material: Carbon steel
Surface treatment: Galvanized



Rod end male thread

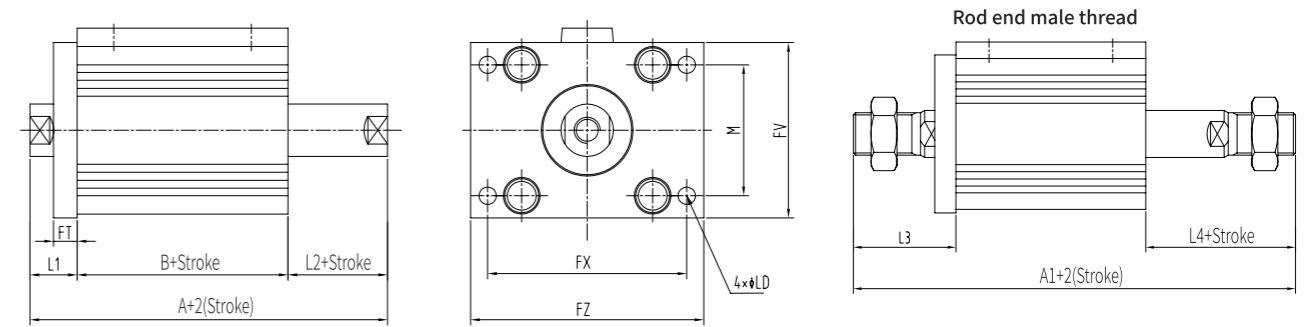
Diameter (mm)	Stroke rang (mm)	No magnetic ring		With magnetic ring		L1
		A1		A1		
32	5~50	107.5		117.5		38.5
	75,100	117.5				
40	5~50	117		127		38.5
	75,100	127				
50	10~50	127.5		137.5		43.5
	75,100	137.5				

Diameter (mm)	Stroke rang (mm)	No magnetic ring			With magnetic ring			L	LD	LH	LT	LX	LY	LZ	X	Y
		A	B	LS	A	B	LS									
32	5~50	67	30.5	57.9	77	40.5	67.9	17	6.6	30	3.2	34	57	45	13.7	5.8
	75,100	77	40.5	67.9												
40	5~50	77.7	40	67.4	87.7	50	77.4	17	6.6	33	3.2	40	64	52	13.7	7
	75,100	87.7	50	77.4												
50	10~50	83.2	40.5	73.9	93.2	50.5	83.9	18	9	39	3.2	50	78	64	16.7	8
	75,100	93.2	50.5	83.9												

-Compact cylinder / standard type: double rod and double-acting

-Type of mounting(Diameter Φ32、40、 50mm)

Flanged-type FA/FB



Rod end male thread

Diameter (mm)	Stroke rang (mm)	No magnetic ring		With magnetic ring		L3	L4
		A1		A1			
32	5~50	97.5		107.5		38.5	28.5
	75,100	107.5					
40	5~50	107		117		38.5	28.5
	75,100	117					
50	10~50	117.5		127.5		43.5	33.5
	75,100	127.5					

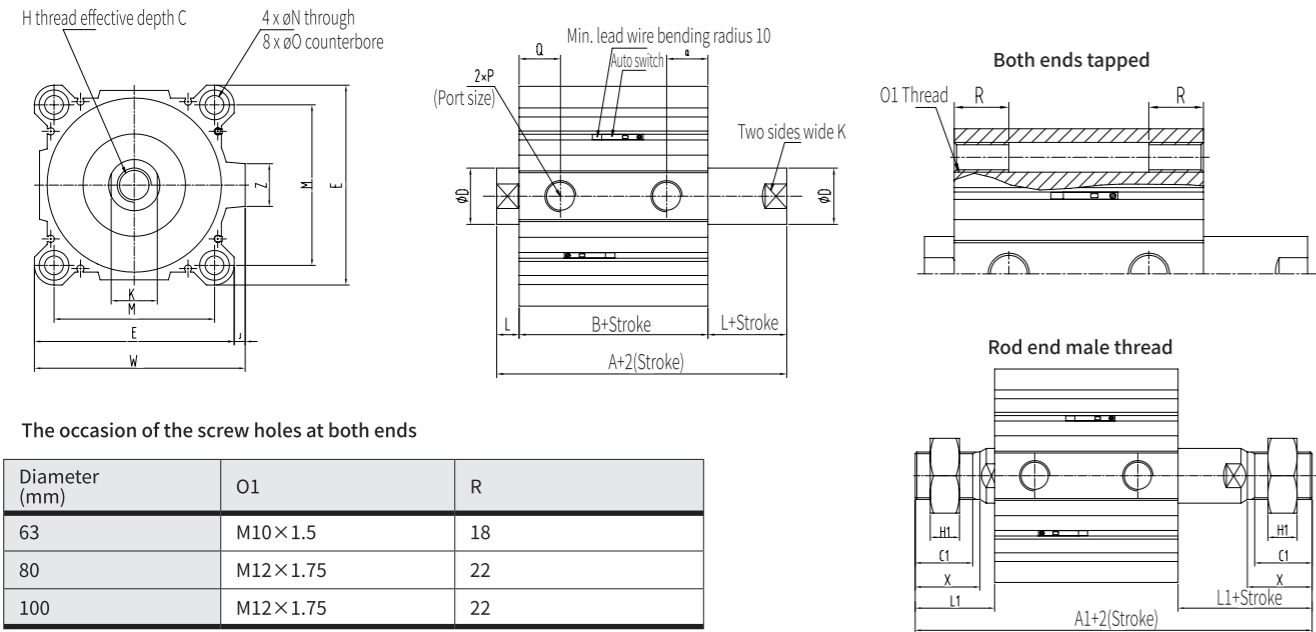
Diameter (mm)	Stroke rang (mm)	No magnetic ring		With magnetic ring		FD	FT	FV	FX	FZ	L1	L2	M
		A	B	A	B								
32	5~50	54.5	30.5	64.5	40.5	5.5	8	48	56	65	17	7	34
	75,100	64.5	40.5										
40	5~50	64	40	74	50	5.5	8	54	62	72	17	7	40
	75,100	74	50										
50	10~50	66.5	40.5	76.5	50.5	6.6	9	67	76	89	18	8	50
	75,100	76.5	50.5										

-Compact cylinder / standard type: double rod and double-acting

·Dimensions

Diameter Φ63、80、100mm

Standard type (through-hole type)



The occasion of the screw holes at both ends

Diameter (mm)	O1	R
63	M10×1.5	18
80	M12×1.75	22
100	M12×1.75	22

Rod end male thread

Diameter (mm)	Stroke rang (mm)	No magnetic ring		B1	C1	H1	L1	MM	X
		A1	A1						
63	10~50	109	119	27	26	11	33.5	M18×1.5	28.5
	75,100	119	119						
80	10~50	138	148	32	32.5	13	43.5	M22×1.5	35.5
	75,100	148	148						
100	10~50	147.5	157.5	41	32.5	16	43.5	M26×1.5	35.5
	75,100	157.5	157.5						

Diameter (mm)	Stroke rang (mm)	No magnetic ring		With magnetic ring	
		A	B	A	B
63	10~50	58	42	68	52
	75,100	68	52		
80	10~50	71	51	81	61
	75,100	81	61		
100	10~50	84.5	60.5	94.5	70.5
	75,100	94.5	70.5		

-Compact cylinder / standard type: double rod and double-acting

·Dimensions

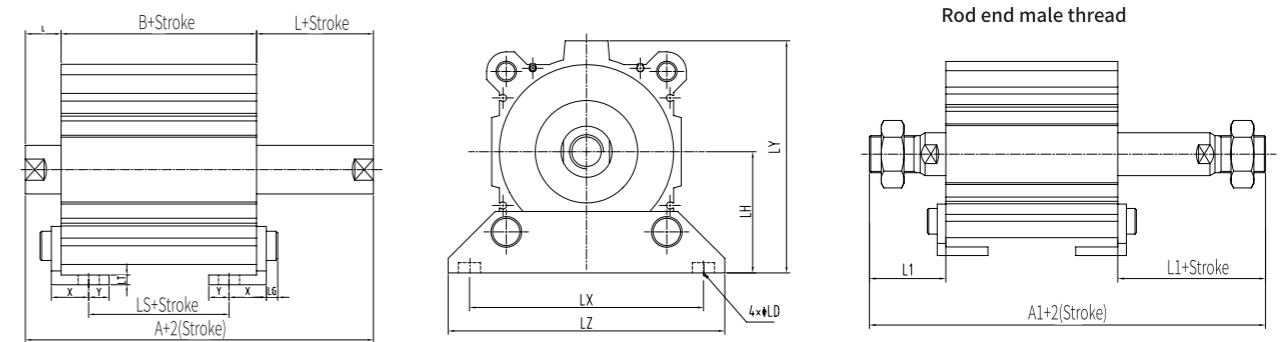
-Diameter Φ63、80、100mm

Diameter (mm)	C	D	E	H	J	K	L	M	N	O	P	Q	W	Z
63	15	20	77	M10×1.5	7	17	8	60	9	14deep10.5	1/4	15.5	84	19
80	21	25	98	M16×2.0	6	22	10	77	11	17.5deep13.5	3/8	18	104	25
100	27	30	117	M20×2.5	6.5	27	12	94	11	17.5deep13.5	3/8	22	123.5	25

·Type of mounting(Diameter Φ63、80、100mm)

Axial base type LB

Material: Carbon steel
Surface treatment: nickel-based plating



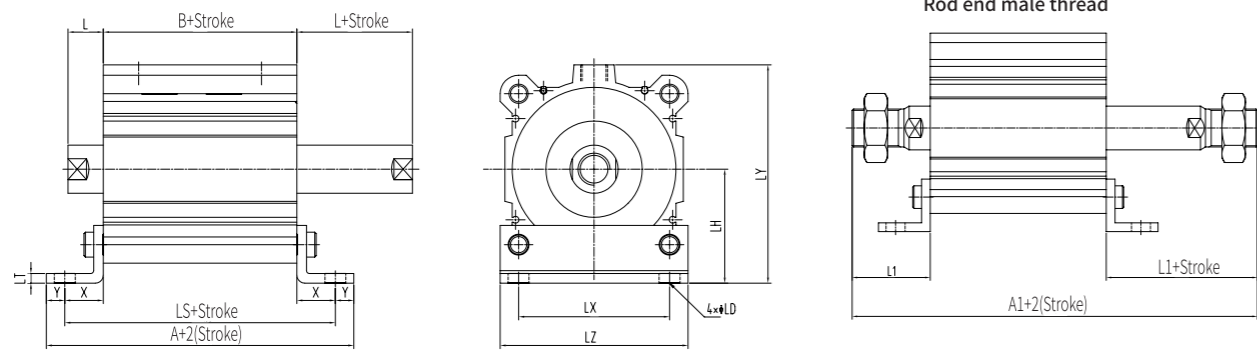
Diameter (mm)	Stroke rang (mm)	No magnetic ring			With magnetic ring			L	LD	LG	LH	LT	LX	LY	LZ	X	Y
		A	B	LS	A	B	LS										
63	5~50	78	42	16	88	52	26	18	11	5	46	3.2	95	91.5	113	16.2	9
	75, 100	88	52	26	88	52	26										
80	5~50	91	51	21	101	61	31	20	13	7	59	4.5	118	114	140	19.5	11
	75, 100	101	61	31	101	61	31										
100	10~50	104.5	60.5	26.5	114.5	70.5	36.5	22	13	7	71	6	137	136	162	23	12.5
	75, 100	114.5	70.5	36.5	114.5	70.5	36.5										

-Compact cylinder / standard type: double rod and double-acting

-Type of mounting(Diameter Φ63、80、100mm)

Compact foot base type LC

Material: Carbon steel
Surface treatment: Galvanized



Rod end male thread

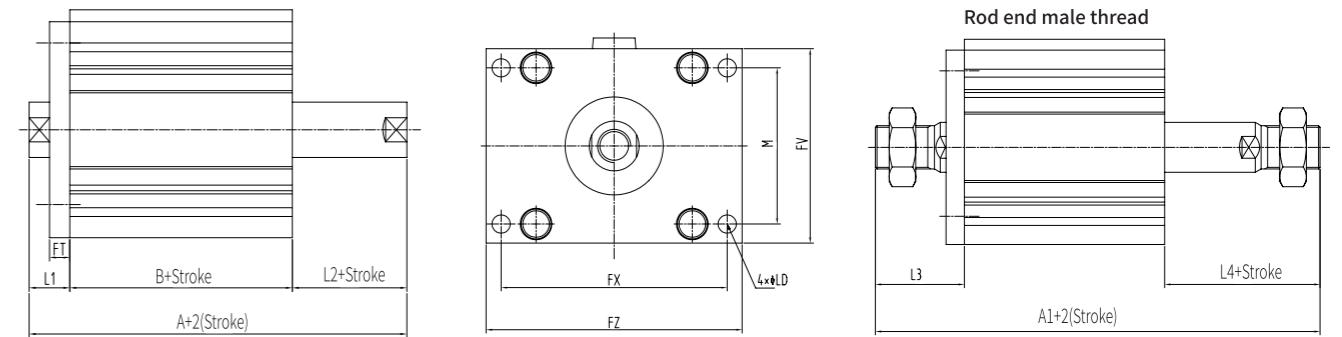
Diameter (mm)	Stroke rang (mm)	No magnetic ring		With magnetic ring		L1
		A1		A1		
63	10~50	129		139		43.5
	75、100	139		139		
80	10~50	158		168		53.5
	75、100	168		168		
100	10~50	167.5		177.5		53.5
	75、100	177.5		177.5		

Diameter (mm)	Stroke rang (mm)	No magnetic ring			With magnetic ring			L	LD	LH	LT	LX	LY	LZ	X	Y
		A	B	LS	A	B	LS									
63	10~50	87.2	42	78.4	97.2	52	88.4	18	11	46	3.2	60	91.5	77	18.2	9
	75、100	97.2	52	88.4	97.2	52	88.4	18	11	46	3.2	60	91.5	77	18.2	9
80	10~50	104.5	51	96	114.5	61	106	20	13	59	4.5	77	114	98	22.5	11
	75、100	114.5	61	106	114.5	61	106	20	13	59	4.5	77	114	98	22.5	11
100	10~50	119	60.5	108.5	129	70.5	118.5	22	13	71	6	94	136	117	24	12.5
	75、100	129	70.5	118.5	129	70.5	118.5	22	13	71	6	94	136	117	24	12.5

-Compact cylinder / standard type: double rod and double-acting

-Type of mounting(Diameter Φ63、80、100mm)

Flanged-type FA/FB



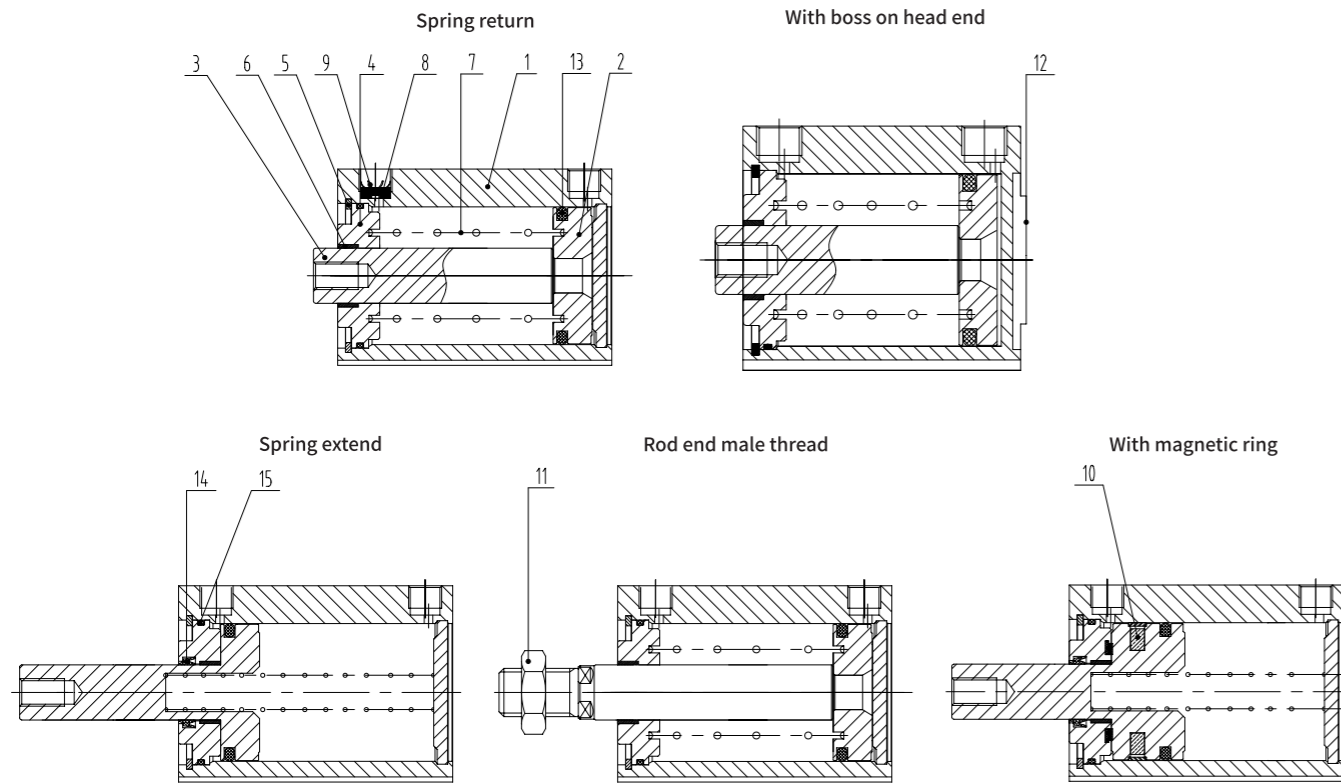
Rod end male thread

Diameter (mm)	Stroke rang (mm)	No magnetic ring		With magnetic ring		L3	L4
		A1		A1			
63	10~50	119		129		43.5	33.5
	75、100	129		129			
80	10~50	148		158		53.5	43.5
	75、100	158		158			
100	10~50	157.5		167.5		53.5	43.5
	75、100	167.5		167.5			

Diameter (mm)	Stroke rang (mm)	No magnetic ring		With magnetic ring		FD	FT	FV	FX	FZ	L1	L2	M
		A	B	A	B								
63	10~50	68	42	78	52	9	9	80	92	108	18	8	60
	75、100	78	52	78	52	9	9	80	92	108	18	8	60
80	10~50	81	51	91	61	11	11	99	116	134	20	10	77
	75、100	91	61	91	61	11	11	99	116	134	20	10	77
100	10~50	94.5	60.5	104.5	70.5	11	11	117	136	154	22	12	94
	75、100	104.5	70.5	104.5	70.5	11	11	117	136	154	22	12	94

Thin air cylinder / standard type: single rod. single-acting

•Structure diagram



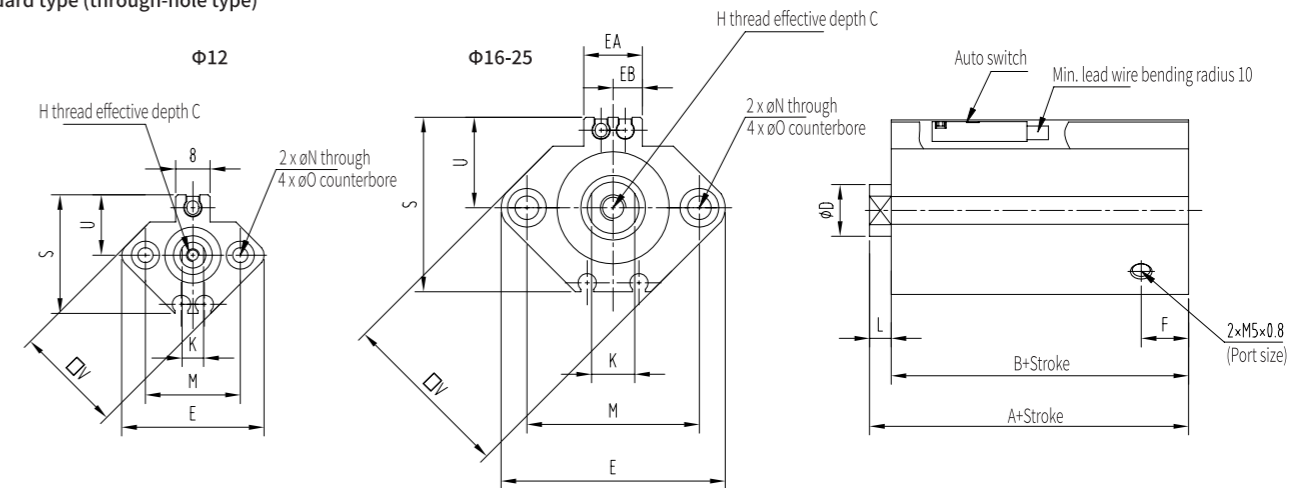
Thin air cylinder / standard type: single rod. single-acting			
1	Cylinder barrel	Aluminium alloy	Hard anodizing
2	Piston	Aluminium alloy	Chromate
3	Piston rod	Stainless steel	ø12~ø25
		Carbon steel	ø32~ø50、Hard chrome plating
4	End cap	Aluminium alloy	ø12~ø40、Anodic oxidation
		Aluminium alloy castings	ø50、Chromate, spray paint
5	Elastic collar	Carbon tool steel	Phosphate coated
6	Guide sleeve	Bearing metal	ø50
7	Guide sleeve	Bearing metal;	Galvanization
8	Bronze filter element	Cemented metal BC	Pipe diameter Rc1/8、1/4 of the occasion
9	Elastic collar	Carbon tool steel	
10	Magnet ring	-	-
11	Rodend nut	Carbon steel	Galvanization
12	Positioning set head	Aluminium alloy	ø20~ø50、Anodic oxidation
13	piston seal	NBR	
14	Piston rod seal ring	NBR	
15	Static sealing ring	NBR	

-Thin air cylinder / standard type: single rod. single-acting

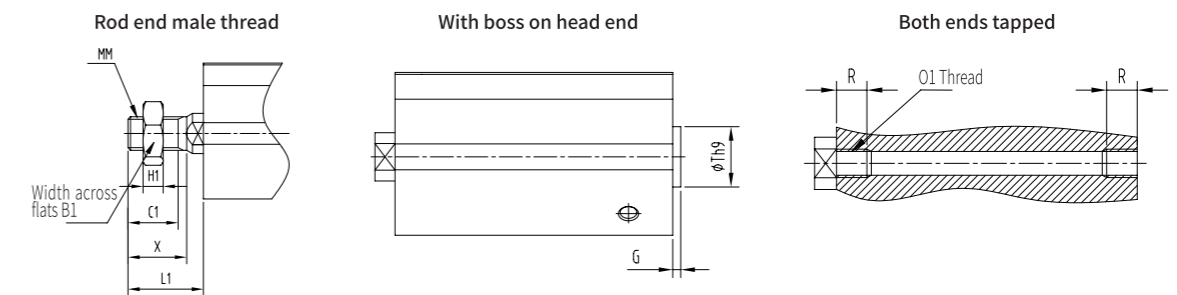
•Dimensions (Spring front type)

Diameter Φ12、16、20、25mm

Standard type (through-hole type)



Diameter (mm)	Stroke (mm)	With magnetic ring			No magnetic ring			L	C	D	E	EA	EB	H	K	M	N	O	S	U	V
		A	B	F	A	B	F														
12	5	36.5	33	6.5	25.5	22	5	3.5	6	6	33	—	—	M3×0.5	5	22	3.5	6.5 deep 3.5	27.5	14	25
	10	41.5	38		30.5	27															
16	5	39	35.5	5.5	27	23.5	5.5	3.5	8	8	37	13.2	6.6	M4×0.7	6	28	3.5	6.5 deep 3.5	29.5	15	29
	10	44	40.5		32	28.5															
20	5	41	36.5	5.5	29	24.5	5.5	4.5	7	10	47	13.6	6.8	M5×0.8	8	36	5.5	9 deep 7	35.5	18	36
	10	46	41.5		34	29.5															
25	5	42.5	37.5	5.5	32.5	27.5	5.5	5	12	12	52	13.6	6.8	M6×1.0	10	40	5.5	9 deep 7	40.5	21	40
	10	47.5	42.5		37.5	32.5															



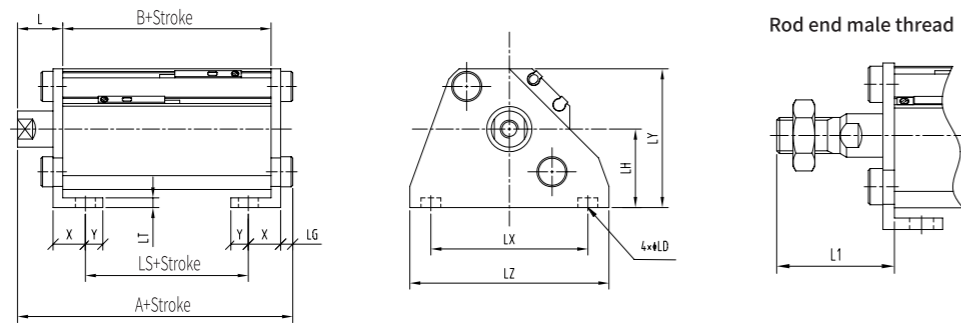
Diameter (mm)	Rod end male thread						With convex platform		Two ends of the screw hole	
	B1	C1	H1	L1	MM	X	G	Th9	O1	R
12	8	9	4	14	M5×0.8	10.5	1.5	15 ⁰ _{-0.043}	M4×0.7	7
16	10	10	5	15.5	M6×1.0	12	1.5	20 ⁰ _{-0.052}	M4×0.7	7
20	13	12	5	18.5	M8×1.25	14	2	13 ⁰ _{-0.043}	M6×1.0	10
25	17	15	6	22.5	M10×1.25	17.5	2	15 ⁰ _{-0.043}	M6×1.0	10

-Thin air cylinder / standard type: single rod. single-acting

·Type of mounting (Spring front type: Diameter Φ12、16、20、25mm)

Axial base type LB

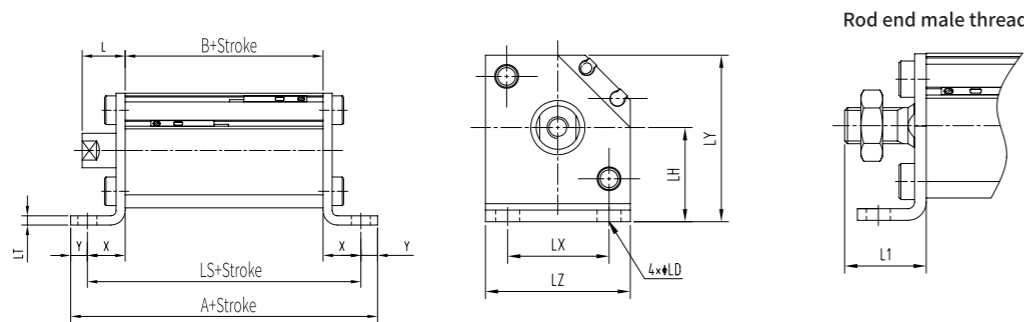
Material: Carbon steel
Surface treatment: nickel-based plating



Diameter (mm)	With magnetic ring						No magnetic ring						L	L1	LD	LG	LH	LT	LX	LY	LZ	X	Y
	A		B		LS		A		B		LS												
	5st	10st	5st	10st	5st	10st	5st	10st	5st	10st	5st	10st											
12	51.3	56.3	33	38	21	26	40.3	45.3	22	27	10	15	13.5	24	4.5	2.8	17	2	34	29.5	44	8	4.5
16	53.8	58.8	35.5	40.5	23.5	28.5	41.8	46.8	23.5	28.5	11.5	16.5	13.5	25.5	4.5	2.8	19	2	38	33.5	48	8	5
20	58.2	63.2	36.5	41.5	24.5	29.5	46.2	51.2	24.5	29.5	12.5	17.5	14.5	28.5	6.6	4	24	3.2	48	42	62	9.2	5.8
25	59.7	64.7	37.5	42.5	22.5	27.5	49.7	54.7	27.5	32.5	12.5	17.5	15	32.5	6.6	4	26	3.2	52	46	66	10.7	5.8

Compact foot base type LC

Material: Carbon steel
Surface treatment: Galvanized



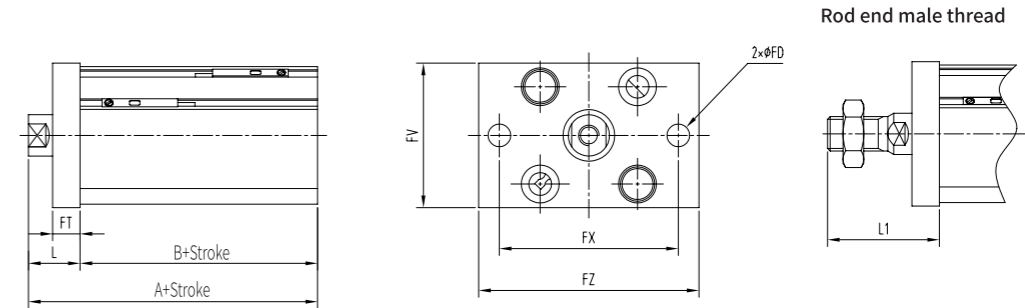
Diameter (mm)	With magnetic ring						No magnetic ring						L	L1	LD	LH	LT	LX	LY	LZ	X	Y
	A		B		LS		A		B		LS											
	5st	10st	5st	10st	5st	10st	5st	10st	5st	10st	5st	10st										
12	60.6	65.6	33	38	51.6	56.6	49.6	54.6	22	27	40.6	45.6	13.5	24	4.5	17	2	15.5	29.5	25	9.3	4.5
16	64.1	69.1	35.5	40.5	54.1	59.1	52.1	57.1	23.5	28.5	42.1	47.1	13.5	25.5	4.5	19	2	20	33.5	29	9.3	5
20	74.5	79.5	36.5	41.5	62.9	67.9	62.5	67.5	24.5	29.5	50.9	55.9	14.5	28.5	6.6	24	3.2	25.5	42	36	13.2	5.8
25	75.5	80.5	37.5	42.5	63.9	68.9	65.5	70.5	27.5	32.5	53.9	58.9	15	32.5	6.6	26	3.2	28	46	40	13.2	5.8

-Thin air cylinder / standard type: single rod. single-acting

·Type of mounting (Spring front type: Diameter Φ12、16、20、25mm)

Rod flange FA

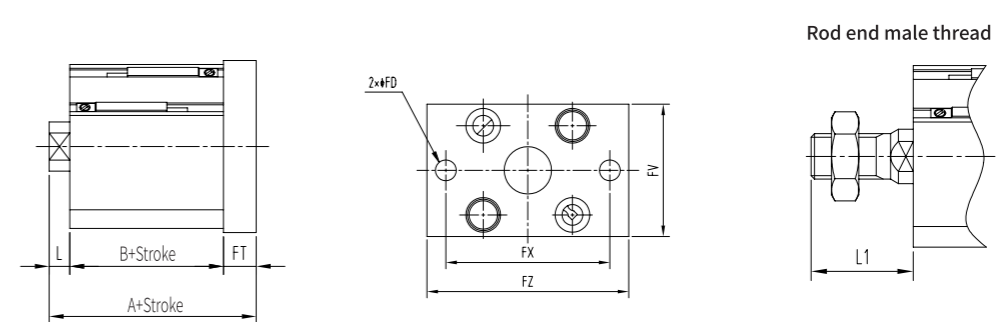
Material: Carbon steel
Surface treatment: nickel-based plating



Diameter (mm)	With magnetic ring				No magnetic ring				FD	FT	FV	FX	FZ	L	L1
	A		B		A		B								
	5st	10st	5st	10st	5st	10st	5st	10st							
12	46.5	51.5	33	38	35.5	40.5	22	27	4.5	5.5	25	45	55	13.5	24
16	49	54	35.5	40.5	37	42	23.5	28.5	4.5	5.5	30	45	55	13.5	25.5
20	51	56	36.5	41.5	39	44	24.5	29.5	6.6	8	39	48	60	14.5	28.5
25	52.5	57.5	37.5	42.5	42.5	47.5	27.5	32.5	6.6	8	42	52	64	15	32.5

Head flange FB

Material: Carbon steel
Surface treatment: nickel-based plating



Diameter (mm)	A With magnetic ring		ANo magnetic ring		L	L1
	5st	10st	5st	10st		
12	46.4	51.4	31	36	3.5	14
16	44.5	49.5	32.5	37.5	3.5	15.5
20	49	54	37	42	4.5	18.5
25	50.5	55.5	40.5	45.5	5	22.5

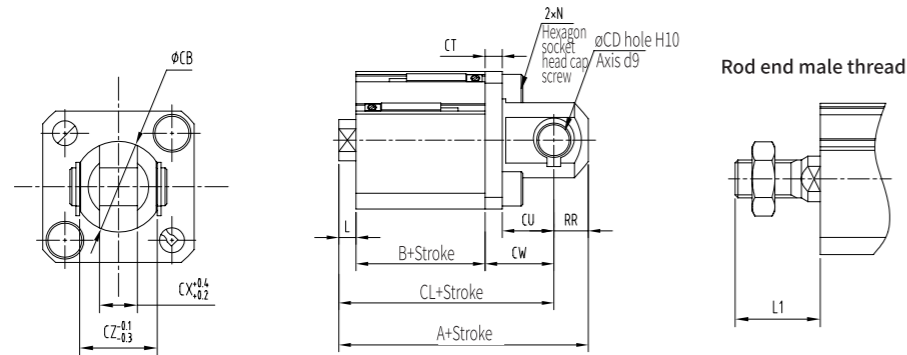
[Note] :Except for dimensions A, L, L1, other dimensions of the same rod side flange type.

-Thin air cylinder / standard type: single rod. single-acting

-Type of mounting (Spring front type: Diameter Φ12、16、20、25mm)

Double-ear CB

Material: Carbon steel
Surface treatment: nickel-based plating



Diameter (mm)	With magnetic ring						No magnetic ring					
	A		B		CL		A		B		CL	
	5st	10st	5st	10st	5st	10st	5st	10st	5st	10st	5st	10st
12	56.5	61.5	33	38	50.5	55.5	45.5	50.5	22	27	39.5	44.5
16	60	65	35.5	40.5	54	59	48	53	23.5	28.5	42	47
20	68	73	36.5	41.5	59	64	56	61	24.5	29.5	47	52
25	72.5	77.5	37.5	42.5	62.5	67.5	62.5	67.5	27.5	32.5	52.5	57.5

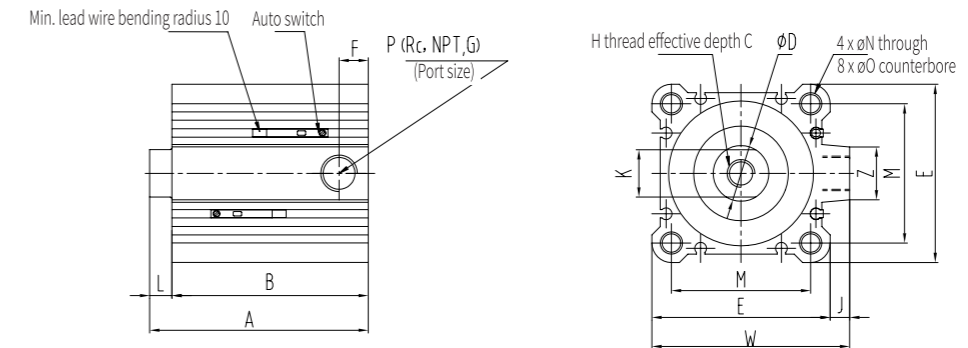
Diameter (mm)	CB	CD	CT	CU	CW	CX	CZ	L	L1	N	RR
12	12	5	4	7	14	5	10	3.5	14	M4×0.7	6
16	14	5	4	10	15	6.5	12	3.5	15.5	M4×0.7	6
20	20	8	5	12	18	8	16	4.5	18.5	M6×1.0	9
25	24	10	5	14	20	10	20	5	22.5	M6×1.0	10

-Thin air cylinder / standard type: single rod. single-acting

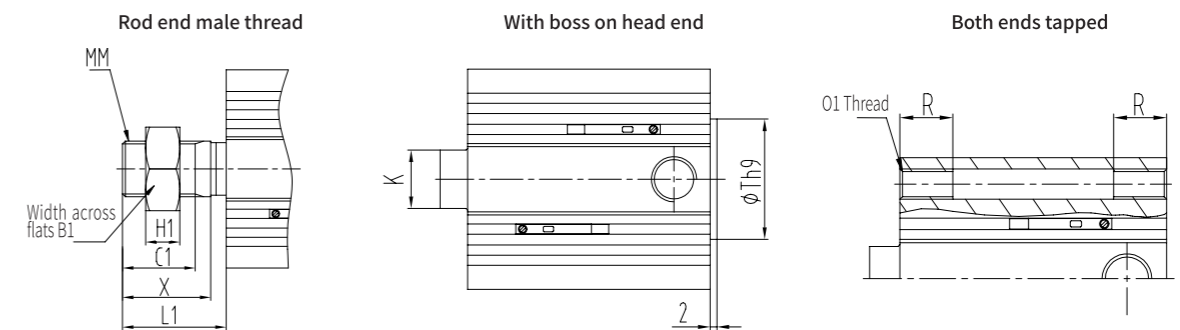
•Dimensions (Spring front type)

Diameter Φ32、40、50 mm

Standard type (through-hole type)



Diameter (mm)	Stroke (mm)	No magnetic ring				With magnetic ring				C	D	E	H	J	K	L	M	N	O	W	Z
		A	B	P	Q	A	B	P	Q												
32	5	40	28	M5×0.8	10	50	38	1/8	10	13	16	45	M8×1.25	4.5	14	12	34	5.5	9 deep 7	49.5	14
	10	50	33	1/8		60	43									17					
40	5	46.5	34.5	1/8	12.5	56.5	44.5	1/8	12.5	13	16	52	M8×1.25	5	14	12	40	5.5	9 deep 7	57	15
	10	56.5	39.5			66.5	49.5									17					
50	10	58.5	40.5	1/4	10.5	68.5	50.5	1/4	10.5	15	20	64	M10×1.5	7	17	18	50	6.6	11 deep 8	71	19
	20	78.5	50.5			88.5	60.5									28					



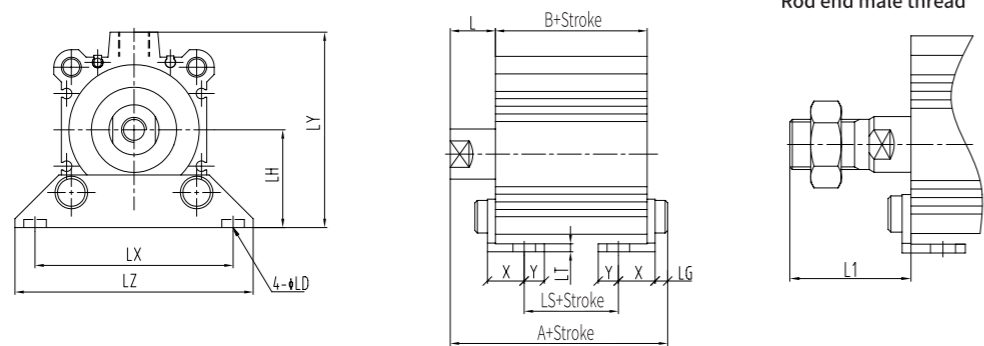
Diameter (mm)	Rod end male thread							With convex platform	Two ends of the screw hole		
	B1	C1	H1	L1			MM	X	Th9	O1	R
				5st	10st	20st					
32	22	20.5	8	33.5	38.5	-	M14×1.5	23.5	21 ⁰ _{-0.052}	M6×1.0	10
40	22	20.5	8	33.5	38.5	-	M14×1.5	23.5	28 ⁰ _{-0.052}	M6×1.0	10
50	27	26	11	-	43.5	53.5	M18×1.5	28.5	35 ⁰ _{-0.062}	M8×1.25	14

-Thin air cylinder / standard type: single rod. single-acting

-Type of mounting (Spring front type: Diameter Φ32、40、50 mm)

Axial base type LB

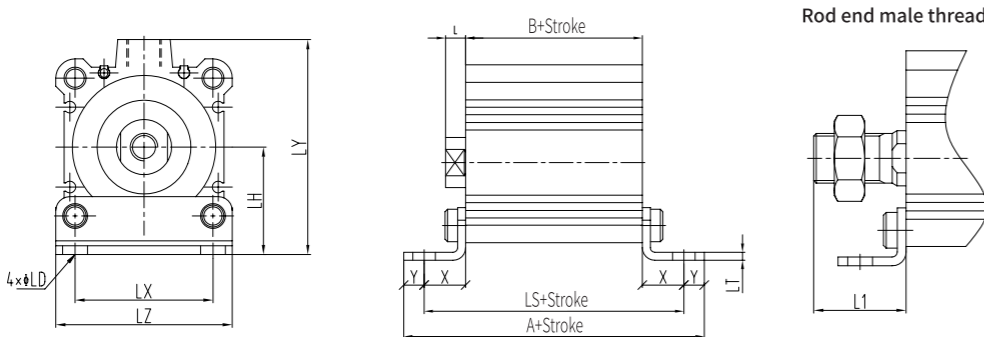
Material: Carbon steel
Surface treatment: nickel-based plating



Diameter (mm)	No magnetic ring									With magnetic ring									L	L1	LD	LG	LH	LX	LT	LY	LZ	X	Y
	A			B			LS			A			B			LS													
	5st	10st	20st	5st	10st	20st	5st	10st	20st	5st	10st	20st	5st	10st	20st	5st	10st	20st											
32	52.2	57.2	-	28	33	-	12	17	-	62.2	67.2	-	38	43	-	22	27	-	17	38.5	6.6	4	30	57	3.2	57	71	11.2	5.8
40	58.7	63.7	-	34.5	39.5	-	18.5	23.5	-	68.7	73.7	-	44.5	49.5	-	28.5	33.5	-	17	38.5	6.6	4	33	64	3.2	64	78	11.2	7
50	-	66.7	76.7	-	40.5	50.5	-	17.5	27.5	-	76.7	86.7	-	50.5	60.5	-	27.5	37.5	18	43.5	9	5	39	79	3.2	78	95	14.7	8

Compact foot base type LC

Material: Carbon steel
Surface treatment: Galvanized



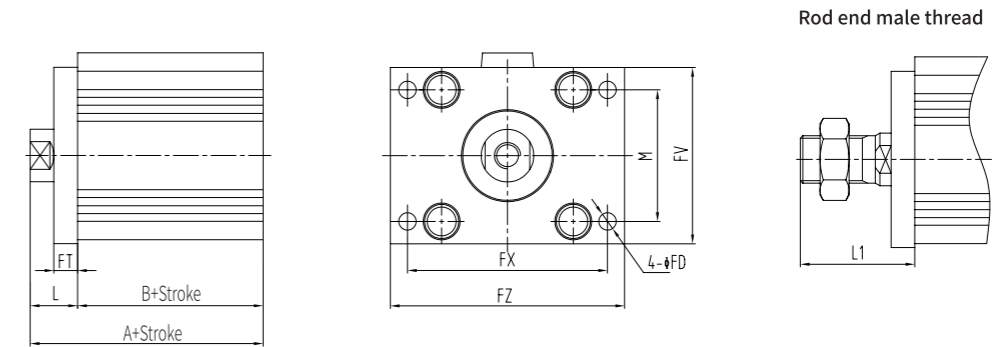
Diameter (mm)	No magnetic ring									With magnetic ring									L	L1	LD	LH	LT	LX	LY	LZ	X	Y
	A			B			LS			A			B			LS												
	5st	10st	20st	5st	10st	20st	5st	10st	20st	5st	10st	20st	5st	10st	20st	5st	10st	20st										
32	67	72	-	28	33	-	55.4	60.4	-	77	82	-	38	43	-	65.4	70.4	-	17	38.5	6.6	30	3.2	34	57	45	13.7	5.8
40	75.9	80.9	-	34.5	39.5	-	61.9	66.9	-	85.9	90.9	-	44.5	49.5	-	71.9	76.9	-	17	38.5	6.6	33	3.2	40	64	52	13.7	7
50	-	89.9	99.9	-	40.5	50.5	-	73.9	83.9	-	99.9	109.9	-	50.5	60.5	-	83.9	93.9	18	43.5	9	39	3.2	50	78	64	16.7	8

-Thin air cylinder / standard type: single rod. single-acting

-Type of mounting (Spring front type: Diameter Φ32、40、50 mm)

Rod flange FA

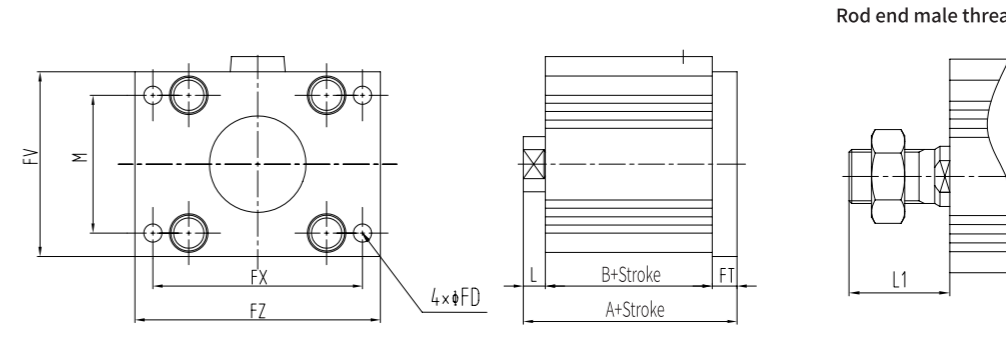
Material: Carbon steel
Surface treatment: nickel-based plating



Diameter (mm)	No magnetic ring						With magnetic ring						FD	FT	FV	FX	FZ	L	L1	M
	A			B			A			B										
	5st	10st	20st	5st	10st	20st	5st	10st	20st	5st	10st	20st								
32	45	50	-	28	33	-	55	60	-	38	43	-	5.5	8	48	56	65	17	38.5	34
40	51.5	56.5	-	34.5	39.5	-	61.5	66.5	-	44.5	49.5	-	5.5	8	54	62	72	17	38.5	40
50	-	58.5	68.5	-	40.5	50.5	-	68.5	78.5	-	50.5	60.5	6.6	9	67	76	89	18	43.5	50

Head flange FB

Material: Carbon steel
Surface treatment: nickel-based plating



Diameter (mm)	No magnetic ring						With magnetic ring						L	L1
	A			A			A			A				
	5st	10st	20st	5st	10st	20st	5st	10st	20st	5st	10st	20st		
32	43	48	-	53	58	-	7	28.5						
40	49.5	54.5	-	59.5	64.5	-	7	28.5						
50	-	57.5	67.5	-	67.5	77.5	8	33.5						

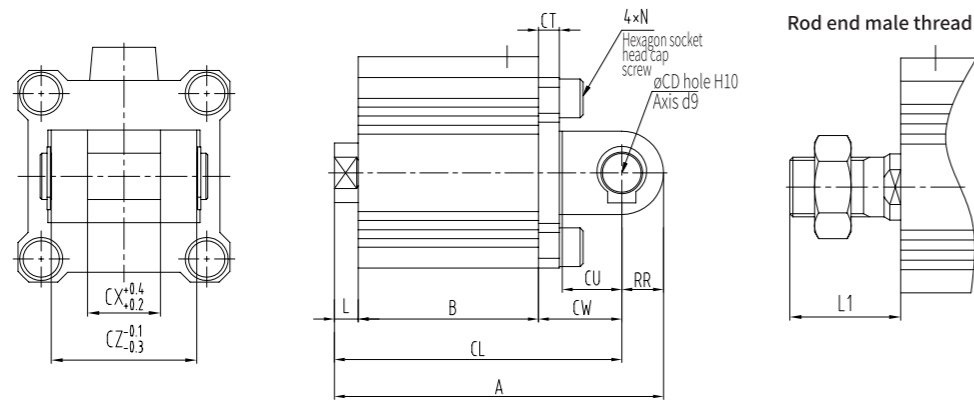
[Note] : Other works with FA except for dimensions A, L and L1

-Thin air cylinder / standard type: single rod. single-acting

-Type of mounting (Spring front type: Diameter Φ32, 40, 50 mm)

Double-ear CB

Material: Carbon steel
Surface treatment: nickel-based plating



Diameter (mm)	No magnetic ring									With magnetic ring									
	A			B			CL			A			B			CL			
	5st	10st	20st	5st	10st	20st	5st	10st	20st	5st	10st	20st	5st	10st	20st	5st	10st	20st	
32	65	70		28	33		55	60		75	80		38	43		65	70		
40	73.5	78.5		34.5	39.5		63.5	68.5		83.5	88.5		44.5	49.5		73.5	78.5		
50		90.5	100.5		40.5	50.5		76.5	86.5		100.5	110.5		50.5	60.5		86.5	96.5	

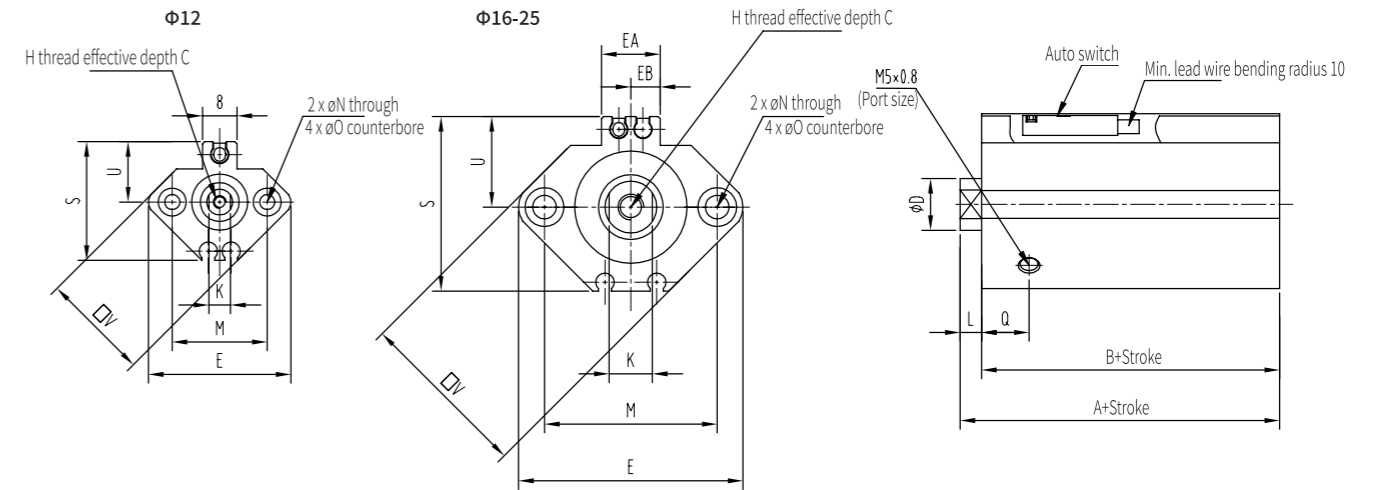
Diameter (mm)	CD	CT	CU	CW	CX	CZ	L	L1	N	RR
32	10	5	14	20	18	36	7	28.5	M6×1.0	10
40	10	6	14	22	18	36	7	28.5	M6×1.0	10
50	14	7	20	28	22	44	8	33.5	M8×1.25	14

-Thin air cylinder / standard type: single rod. single-acting

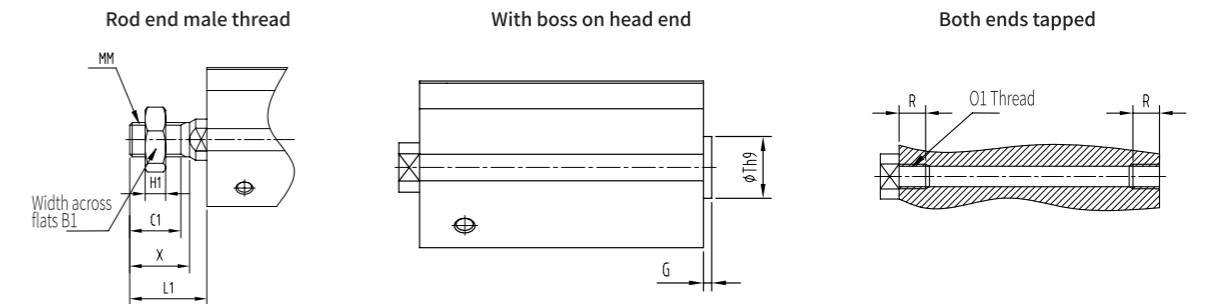
Dimensions (Spring rear type)

Diameter Φ12, 16, 20, 25mm

Normalized form



Diameter (mm)	Stroke (mm)	With magnetic ring			No magnetic ring			C	D	E	EA	EB	H	K	L	M	N	O	S	U	V
		A	B	Q	A	B	Q														
12	5	45.9	37.4	11	30.5	22	7.5	6	6	33	-	-	M3×0.5	5	8.5	22	3.5	6.5 deep 3.5	27.5	14	25
	10	55.9	42.4		40.5	27									13.5						
16	5	44	35.5	10	32	23.5	8	8	8	37	13.2	6.6	M4×0.7	6	8.5	28	3.5	6.5 deep 3.5	29.5	15	29
	10	54	40.5		42	28.5									13.5						
20	5	46	36.5	10.5	34	24.5	9	7	10	47	13.6	6.8	M5×0.8	8	9.5	36	5.5	9 deep 7	35.5	18	36
	10	56	41.5		44	29.5									14.5						
25	5	47.5	37.5	11	37.5	27.5	11	12	12	52	13.6	6.8	M6×1.0	10	10	40	5.5	9 deep 7	40.5	21	40
	10	57.5	42.5		47.5	32.5									15						



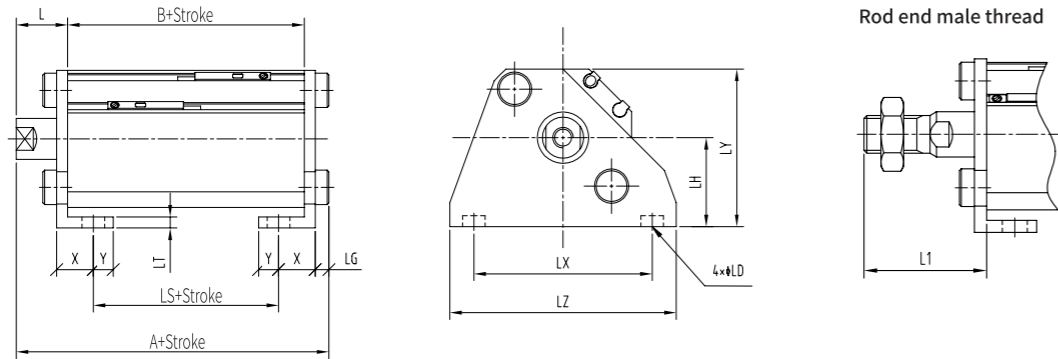
Diameter (mm)	Rod end male thread					With convex platform				Two ends of the screw hole	
	B1	C1	H1	L1		MM	X	G	Th9	O1	R
12	8	9	4	19	24	M5×0.8	10.5	1.5	15 ⁰ _{-0.043}	M4×0.7	7
16	10	10	5	20.5	25.5	M6×1.0	12	1.5	20 ⁰ _{-0.052}	M4×0.7	7
20	13	12	5	23.5	28.5	M8×1.25	14	2	13 ⁰ _{-0.043}	M6×1.0	10
25	17	15	6	27.5	32.5	M10×1.25	17.5	2	15 ⁰ _{-0.043}	M6×1.0	10

-Thin air cylinder / standard type: single rod. single-acting

·Type of mounting (Spring rear type: Diameter Φ12、16、20、25mm)

Axial base type LB

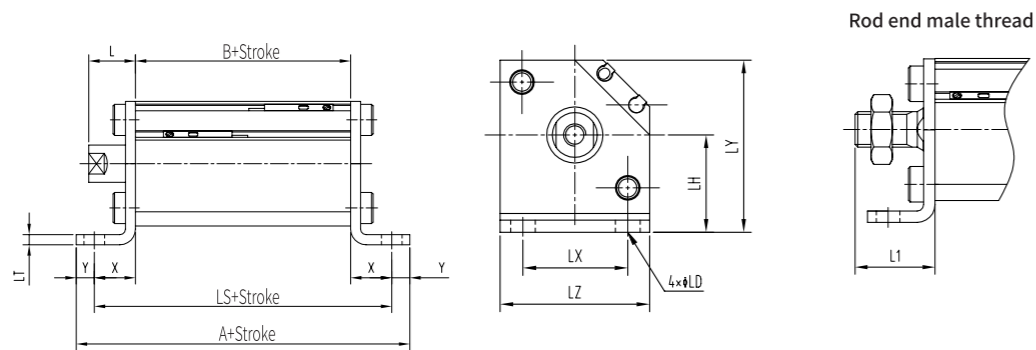
Material: Carbon steel
Surface treatment: nickel-based plating



Diameter (mm)	With magnetic ring										No magnetic ring										LT	LX	LD	LG	LH	LY	LZ	X	Y
	A		B		L		L1		LS		A		B		L		L1		LS										
	5st	10st	5st	10st	5st	10st	5st	10st	5st	10st	5st	10st	5st	10st	5st	10st	5st	10st	5st	10st									
12	60.7	70.7	37.4	42.4	18.5	23.5	29	34	25.4	30.4	45.3	55.3	22	27	18.5	23.5	29	34	10	15	2	34	4.5	2.8	17	29.5	44	8	4.5
16	58.8	68.8	35.5	40.5	18.5	23.5	30.5	35.5	23.5	28.5	46.8	56.8	23.5	28.5	18.5	23.5	30.5	35.5	11.5	16.5	2	38	4.5	2.8	19	33.5	48	8	5
20	63.2	73.2	36.5	41.5	19.5	24.5	33.5	38.5	24.5	29.5	51.2	61.2	24.5	29.5	19.5	24.5	33.5	38.5	12.5	17.5	3.2	48	6.6	4	24	42	62	9.2	5.8
25	64.7	74.7	37.5	42.5	20	25	37.5	42.5	22.5	27.5	54.7	64.7	27.5	32.5	20	25	37.5	42.5	12.5	17.5	3.2	52	6.6	4	26	46	66	10.7	5.8

Compact foot base type LC

Material: Carbon steel
Surface treatment: Galvanized



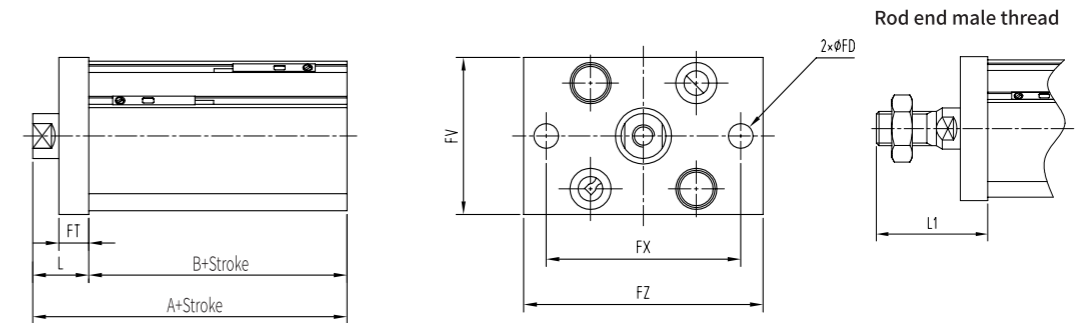
Diameter (mm)	With magnetic ring										No magnetic ring										LX	LY	LZ	X	Y	LD	LH	LT
	A		B		L		L1		LS		A		B		L		L1		LS									
	5st	10st	5st	10st	5st	10st	5st	10st	5st	10st	5st	10st	5st	10st	5st	10st	5st	10st	5st	10st								
12	69.7	79.7	37.4	42.4	18.5	23.5	29	34	56	61	54.3	64.3	22	27	18.5	23.5	29	34	40.6	45.6	15.5	29.5	25	9.3	4.5	4.5	17	2
16	68.3	78.3	35.5	40.5	18.5	23.5	30.5	35.5	54.1	59.1	56.3	66.3	23.5	28.5	18.5	23.5	30.5	35.5	42.1	47.1	20	33.5	29	9.3	5	4.5	19	2
20	75	85	36.5	41.5	19.5	24.5	33.5	38.5	62.9	67.9	63	73	24.5	29.5	19.5	24.5	33.5	38.5	50.9	55.9	25.5	42	36	13.2	5.8	6.6	24	3.2
25	76.5	86.5	37.5	42.5	20	25	37.5	42.5	63.9	68.9	66.5	76.5	27.5	32.5	20	25	37.5	42.5	53.9	58.9	28	46	40	13.2	5.8	6.6	26	3.2

-Thin air cylinder / standard type: single rod. single-acting

·Type of mounting (Spring rear type: Diameter Φ12、16、20、25mm)

Rod flange FA

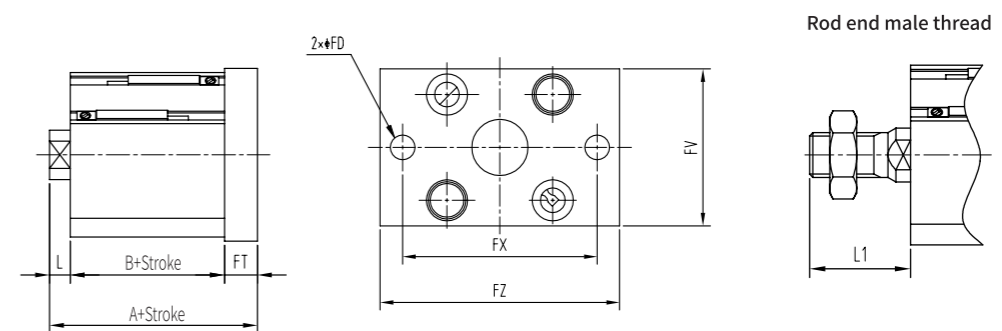
Material: Carbon steel
Surface treatment: nickel-based plating



Diameter (mm)	With magnetic ring				No magnetic ring				FD	FT	FV	FX	FZ	L		L1	
	A		B		A		B							5st	10st	5st	10st
	5st	10st	5st	10st	5st	10st	5st	10st									
12	55.9	65.9	37.4	42.4	40.5	50.5	22	27	4.5	5.5	25	45	55	18.5	23.5	29	34
16	54	64	35.5	40.5	42	52	23.5	28.5	4.5	5.5	30	45	55	18.5	23.5	30.5	35.5
20	56	66	36.5	41.5	44	54	24.5	29.5	6.6	8	39	48	60	19.5	24.5	33.5	38.5
25	57.5	67.5	37.5	42.5	47.5	57.5	27.5	32.5	6.6	8	42	52	64	20	25	37.5	42.5

Head flange FB

Material: Carbon steel
Surface treatment: nickel-based plating



Diameter (mm)	With magnetic ring		No magnetic ring		L		L1	
	A		A		5st	10st	5st	10st
	5st	10st	5st	10st				
12	51.4	61.4	36	46	8.5	13.5	19	24
16	49.5	59.5	37.5	47.5	8.5	13.5	20.5	25.5
20	54	64	42	52	9.5	14.5	23.5	28.5
25	55.5	65.5	45.5	55.5	10	15	27.5	32.5

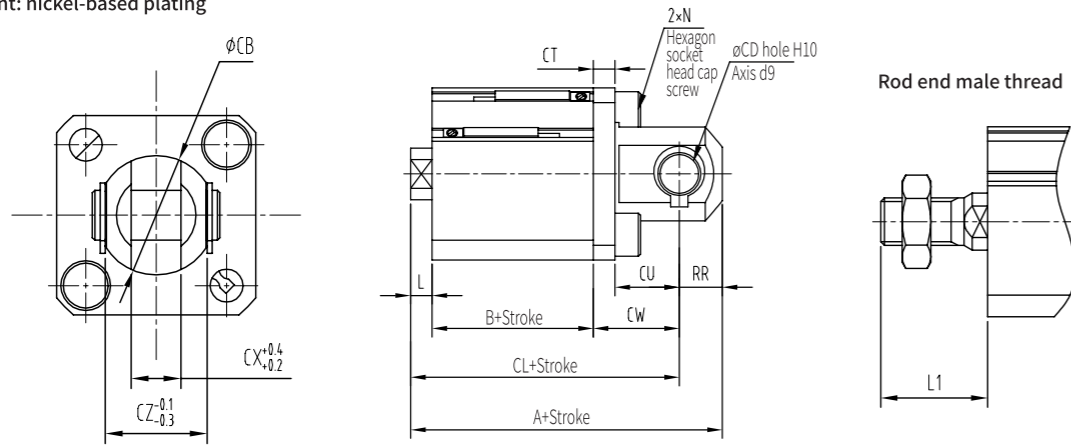
[Note] : Except for dimensions A, L, L1, other dimensions of the same rod side flange type

-Thin air cylinder / standard type: single rod. single-acting

-Type of mounting (Spring rear type: Diameter Φ12、16、20、25mm)

Double-ear CB

Material: Carbon steel
Surface treatment: nickel-based plating



Diameter (mm)	With magnetic ring						No magnetic ring					
	A		B		CL		A		B		CL	
	5st	10st	5st	10st	5st	10st	5st	10st	5st	10st	5st	10st
12	65.9	75.9	37.4	42.4	59.9	69.9	50.5	60.5	22	27	44.5	54.5
16	65	75	35.5	40.5	59	69	53	63	23.5	28.5	47	57
20	73	83	36.5	41.5	64	74	61	71	24.5	29.5	52	62
25	77.5	87.5	37.5	42.5	67.5	77.5	67.5	77.5	27.5	32.5	57.5	67.5

Rod end male thread

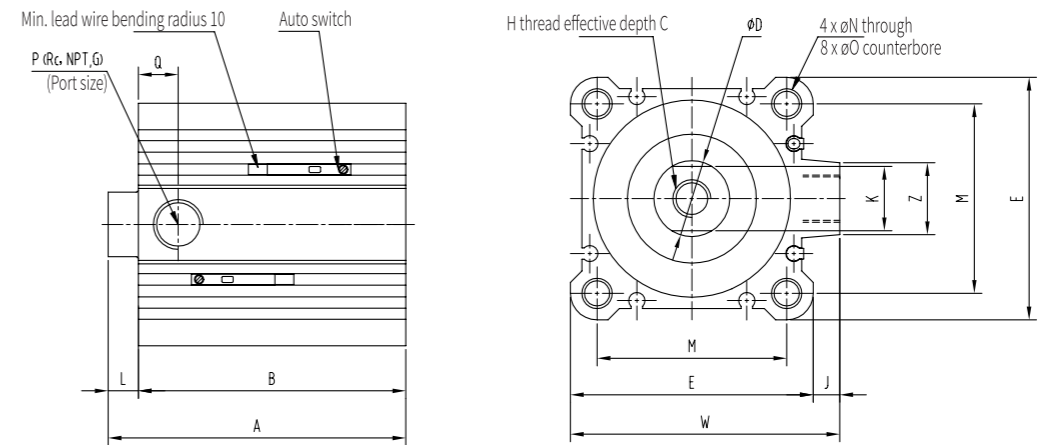
Diameter (mm)	L		L1		N	RR	CB	CD	CT	CU	CW	CX
	5st	10st	5st	10st								
12	8.5	13.5	19	24	M4×0.7	6	12	5	4	7	14	5
16	8.5	13.5	20.5	25.5	M4×0.7	6	14	5	4	10	15	6.5
20	9.5	14.5	23.5	28.5	M6×1.0	9	20	8	5	12	18	8
25	10	15	27.5	32.5	M6×1.0	10	24	10	5	14	20	10

-Thin air cylinder / standard type: single rod. single-acting

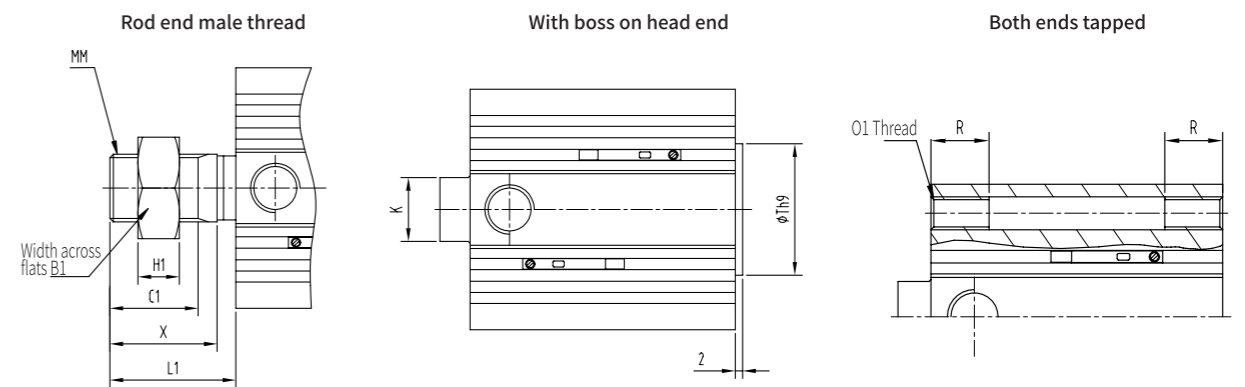
Dimensions (Spring rear type)

Diameter Φ32、40、50mm

Standard type (through-hole type)



Diameter (mm)	Stroke (mm)	No magnetic ring				With magnetic ring				C	D	E	H	J	K	L	M	N	O	W	Z
		A	B	P	Q	A	B	P	Q												
32	5	40	28	M5×0.8	10	50	38	1/8	10	13	16	45	M8×1.25	4.5	14	12	34	5.5	9 deep 7	49.5	14
	10	50	33	1/8		60	43														
40	5	46.5	34.5	1/8	12.5	56.5	44.5	1/8	12.5	13	16	52	M8×1.25	5	14	12	40	5.5	9 deep 7	57	15
	10	56.5	39.5			66.5	49.5														
50	10	58.5	40.5	1/4	10.5	68.5	50.5	1/4	10.5	15	20	64	M10×1.5	7	17	18	50	6.6	11 deep 8	71	19
	20	78.5	50.5			88.5	60.5														



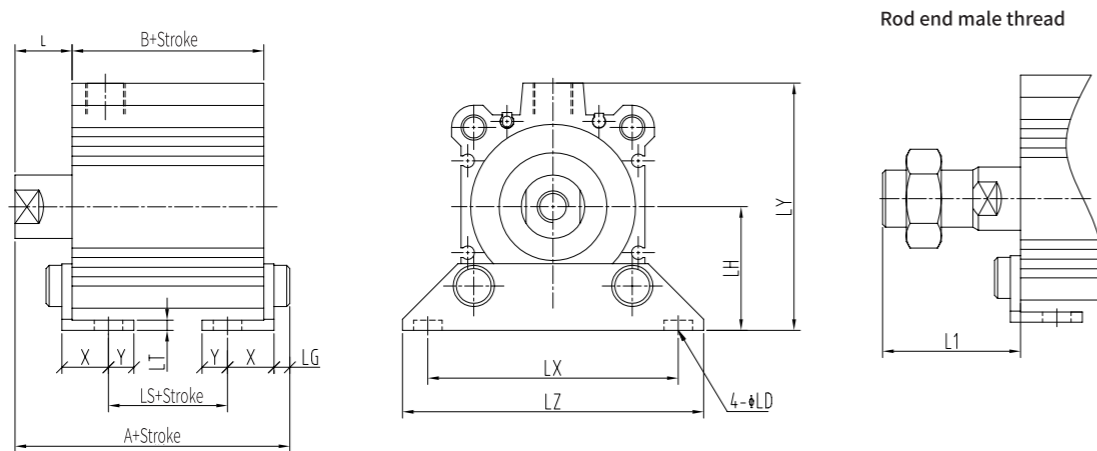
Diameter (mm)	Rod end male thread								With convex platform	Two ends of the screw hole	
	B1	C1	H1	L1			MM	X		Th9	O1
				5st	10st	20st					
32	22	20.5	8	33.5	38.5	-	M14×1.5	23.5	21 ⁰ _{-0.052}	M6×1.0	10
40	22	20.5	8	33.5	38.5	-	M14×1.5	23.5	28 ⁰ _{-0.052}	M6×1.0	10
50	27	26	11	-	43.5	53.5	M18×1.5	28.5	35 ⁰ _{-0.062}	M8×1.25	14

-Thin air cylinder / standard type: single rod. single-acting

·Type of mounting (Spring rear type: Diameter Φ32、40、50mm)

Axial base type LB

Material: Carbon steel
Surface treatment: nickel-based plating



Diameter (mm)	No magnetic ring									With magnetic ring								
	A			B			LS			A			B			LS		
	5st	10st	20st	5st	10st	20st	5st	10st	20st	5st	10st	20st	5st	10st	20st	5st	10st	20st
32	57.2	67.2	—	28	33	—	12	17	—	67.2	77.2	—	38	43	—	22	27	—
40	63.7	73.7	—	34.5	39.5	—	18.5	23.5	—	73.7	83.7	—	44.5	49.5	—	28.5	33.5	—
50	—	76.7	96.7	—	40.5	50.5	—	17.5	27.5	—	86.7	106.7	—	50.5	60.5	—	27.5	37.5

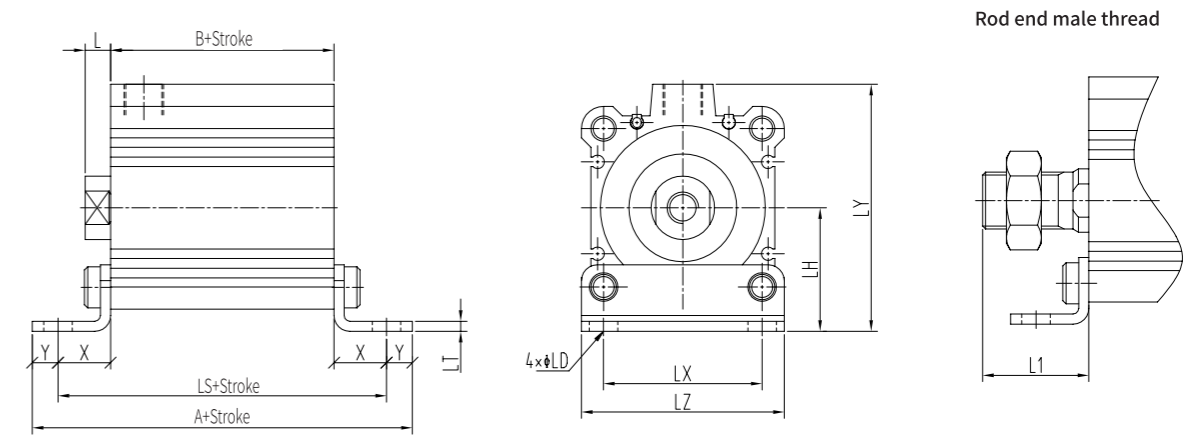
Diameter (mm)	L			L1			LD	LG	LH	LT	LX	LY	LZ	X	Y
	5st	10st	20st	5st	10st	20st									
32	22	27	—	43.5	48.5	—	6.6	4	30	3.2	57	57	71	11.2	5.8
40	22	27	—	43.5	48.5	—	6.6	4	33	3.2	64	64	78	11.2	7
50	—	28	38	—	53.5	63.5	9	5	39	3.2	79	78	95	14.7	8

-Thin air cylinder / standard type: single rod. single-acting

·Type of mounting (Spring rear type: Diameter Φ32、40、50mm)

Compact foot base type LC

Material: Carbon steel
Surface treatment: Galvanized



Diameter (mm)	No magnetic ring									With magnetic ring								
	A			B			LS			A			B			LS		
	5st	10st	20st	5st	10st	20st	5st	10st	20st	5st	10st	20st	5st	10st	20st	5st	10st	20st
32	69.5	79.5	—	28	33	—	55.4	60.4	—	79.5	89.5	—	38	43	—	65.4	70.4	—
40	77.2	87.2	—	34.5	39.5	—	61.9	66.9	—	87.2	97.2	—	44.5	49.5	—	71.9	76.9	—
50	—	93.2	113.2	—	40.5	50.5	—	73.9	83.9	—	103.2	123.2	—	50.5	60.5	—	83.9	93.9

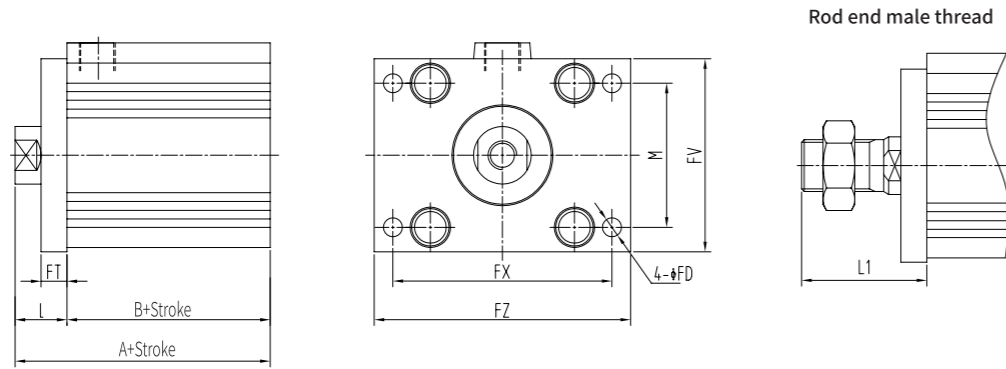
Diameter (mm)	L			L1			LD	LH	LT	LX	LY	LZ	X	Y
	5st	10st	20st	5st	10st	20st								
32	22	27	—	43.5	48.5	—	6.6	30	3.2	34	57	45	13.7	5.8
40	22	27	—	43.5	48.5	—	6.6	33	3.2	40	64	52	13.7	7
50	—	28	38	—	53.5	63.5	9	39	3.2	50	78	64	16.7	8

-Thin air cylinder / standard type: single rod. single-acting

-Type of mounting (Spring rear type: Diameter $\Phi 32$ 、40、50mm)

Rod flange FA

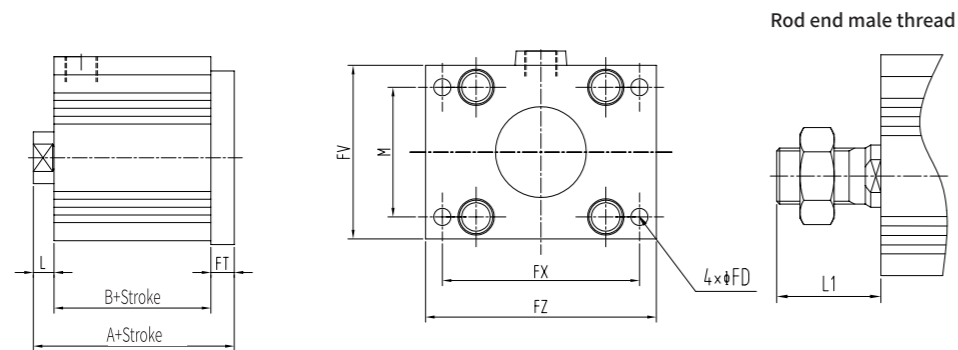
Material: Carbon steel
Surface treatment: nickel-based plating



Diameter (mm)	No magnetic ring						With magnetic ring						FD	FT	FV	FX	FZ	L			L1			M			
	A			B			A			B								5st	10st	20st	5st	10st	20st		5st	10st	20st
	5st	10st	20st	5st	10st	20st	5st	10st	20st	5st	10st	20st															
32	50	60	—	28	33	—	60	70	—	38	43	—	5.5	8	45	56	65	22	27	—	43.5	48.5	—	34			
40	56.5	66.5	—	34.5	39.5	—	66.5	76.5	—	44.5	49.5	—	5.5	8	54	62	72	22	27	—	43.5	48.5	—	40			
50	—	68.5	88.5	—	40.5	50.5	—	78.5	98.5	—	50.5	60.5	6.6	9	67	76	89	—	28	38	—	53.5	63.5	50			

Head flange FB

Material: Carbon steel
Surface treatment: nickel-based plating



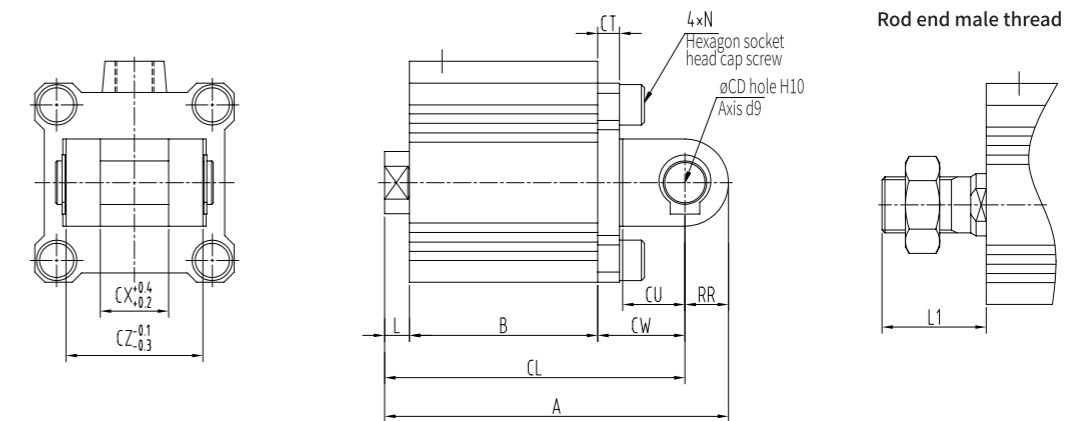
Diameter (mm)	No magnetic ring			With magnetic ring			L			L1		
	A			A			5st	10st	20st	5st	10st	20st
	5st	10st	20st	5st	10st	20st						
32	48	58	—	58	68	—	12	17	—	33.5	38.5	—
40	54.5	64.5	—	64.5	74.5	—	12	17	—	33.5	38.5	—
50	—	67.5	87.5	—	77.5	97.5	—	18	28	—	43.5	53.5

-Thin air cylinder / standard type: single rod. single-acting

-Type of mounting (Spring rear type: Diameter $\Phi 32$ 、40、50mm)

Double-ear CB

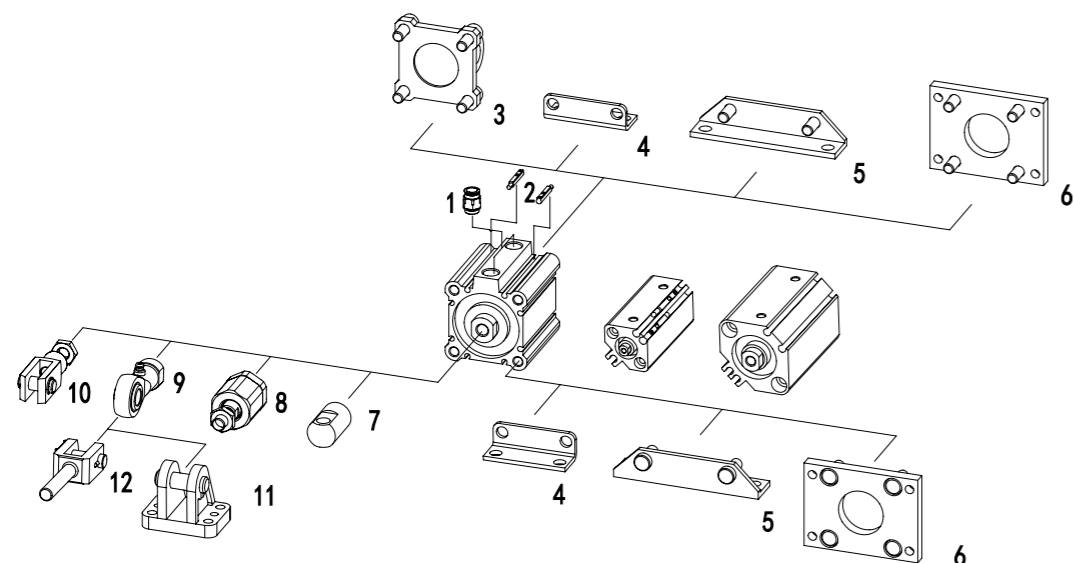
Material: Carbon steel
Surface treatment: nickel-based plating



Diameter (mm)	No magnetic ring									With magnetic ring								
	A			B			CL			A			B			CL		
	5st	10st	20st	5st	10st	20st	5st	10st	20st	5st	10st	20st	5st	10st	20st	5st	10st	20st
32	70	80	—	28	33	—	60	70	—	80	90	—	38	43	—	70	80	—
40	78.5	88.5	—	34.5	39.5	—	68.5	78.5	—	88.5	98.5	—	44.5	49.5	—	78.5	88.5	—
50	—	100.5	120.5	—	40.5	50.5	—	86.5	106.5	—	110.5	130.5	—	50.5	60.5	—	96.5	116.5

Diameter (mm)	CD	CT	CU	CW	CX	CZ	L			L1			N	RR
							5st	10st	20st	5st	10st	20st		
32	10	5	14	20	18	36	12	17	—	33.5	38.5	—	M6×1.0	10
40	10	6	14	22	18	36	12	17	—	33.5	38.5	—	M6×1.0	10
50	14	7	20	28	22	44	—	18	28	—	43.5	53.5	M8×1.25	14

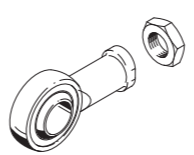
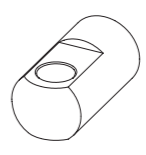
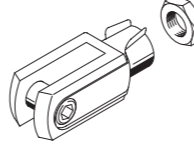
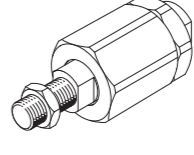
Peripherals overview



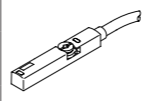
List of installation components and accessories			
Number	Code	Name	Description
1	PC	Push-in fitting	For connecting compressed air tubing with standard O.D.
2	C	Magnetic switch	CDX-07R-1.3
3	CB	Double-ear	For end Caps
4	LC	Compact foot seat type	For bearings or end covers
5	LB	Axial Foundation	For bearings or end covers
6	FA/FB	Front / rear flange	For bearing or end cap and Cannot be used on the bearing cap in combination with the FCZ
7	I	I joint	-
8	FD	Floating junction	For compensating radial and angular deviations
9	YY	Fish eye joint	With spherical bearing
10	Y	Y joint	Permits a swivelling movement of the cylinder in one plane
11	CBG	Clevis foot	Used in conjunction with CB, Increase the freedom of the installation
12	YF	Y joint	With external thread

Accessories

· Piston rod accessories

Name	For diameter Ø	Type	Name	For diameter Ø	Type
 Fish eye joint YY	16	YY-M6	 I joint	32	I-M10*1.25
	20, 25	YY-M8		40	I-M12*1.25
	32, 40	YY-M10x1.25		50, 63	I-M16*1.5
	50, 63	YY-M12x1.25		80, 100	I-M20*1.5
	80, 100	YY-M16x1.5			
 Y joint	12	-	 Floating junction FD	12	FD-M5
	16	Y-M6		16	FD-M6
	20, 25	Y-M8		20, 25	FD-M8
	32, 40	Y-M10x1.25		32, 40	FD-M10x1.25
	50, 63	Y-M12x1.25		50, 63	FD-M12x1.25
	80, 100	Y-M16x1.5		80, 100	FD-M16x1.5

· C Magnetic switch

Magnetic switch-reed type is used for T-groove						
	Type of mounting	Switching output	Connection	Cable length m	Type	Diameter Ø
	Normal open					
	Insertable in the slot from above, flush with the cylinder profile.	PNP	Magneto-resistive, 3-wire	1.3	CDX-07P-1.3	12~100
		NPN	Magneto-resistive, 3-wire	1.3	CDX-07N-1.3	
		R	Tongue spring type, 2-wire	1.3	CDX-07R-1.3	
2.5	CDX-07R-2.5					

Chinese +86 400 101 8889	Germany +49 (30) 72088-0
American +01 630 995 3674	Japan +81 03 6809 1696



© Without the authorization of Hengli Pneumatic Company, any part of this brochure shall not be reproduced, edited, copied or disseminated electronically in any way. As the product is in constant development and innovation, the information in this brochure is not specific to the special conditions or applicability of a specific industry, and Hengli Pneumatic is not responsible for any incomplete or inaccurate description as generated thereby.