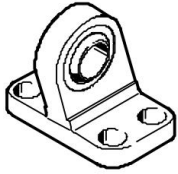


LNQ Clevis foot with bearing

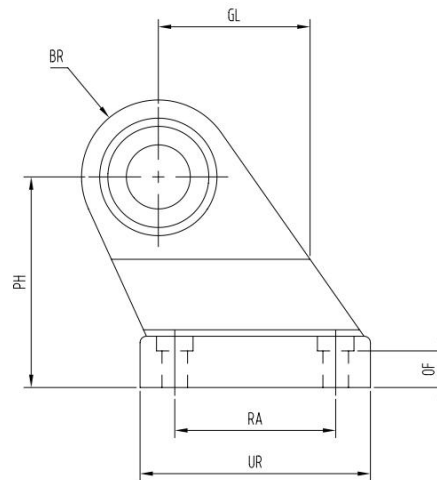
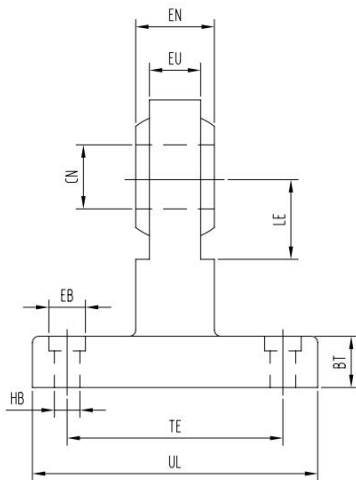


Material:

LNQ-32 ...50: High alloy steel

LNQ-63 ...200: Spheroidal graphite cast iron

Type: LNQ-32/40/50/63/80/100/125/160/200



Dimensions and Type

For diameter ϕ	BR	BT	CN	EB	EN	EU	GL	HB	LE	OF	PH	RA	TE	UL	UR	Type
32	15	10 ±0.2	10 +0.013	11	14	10.5	21	6.6	–	8.5 +0.8	32	18	38	51	31	LNQ-32
40	17	10 ±0.2	12 +0.015	11	16	12	24	6.6	–	8.5 +0.8	36	22	41	54	35	LNQ-40
50	20	12 ±0.2	16 +0.015	15	21	15	33	9	–	10.5 +0.8	45	30	50	65	45	LNQ-50
63	22	12 ±0.6	16 +0.015	15	21	15	37	9	27	10.5 +0.8	50	35	52	67	50	LNQ-63
80	27	14 ±0.6	20 +0.018	18	25	18	47	11	31	12 +0.8	63	40	66	86	60	LNQ-80
100	29	15 ±0.6	20 +0.018	18	25	18	55	11	38	13 +0.8	71	50	76	96	70	LNQ-100
125	39	20 ±0.7	30 +0.018	20	37	25	70	14	50	17 +1	90	60	94	124	90	LNQ-125
160	42	25 ±0.7	35 +0.021	20	43	28	97	14	45	21 +1	115	88	118	156	126	LNQ-160
200	42	35 ±0.7	35 +0.018	26	43	28	105	18	45	26.5 +1	135	90	122	162	130	LNQ-200